

SPARE PARTS DRAWING

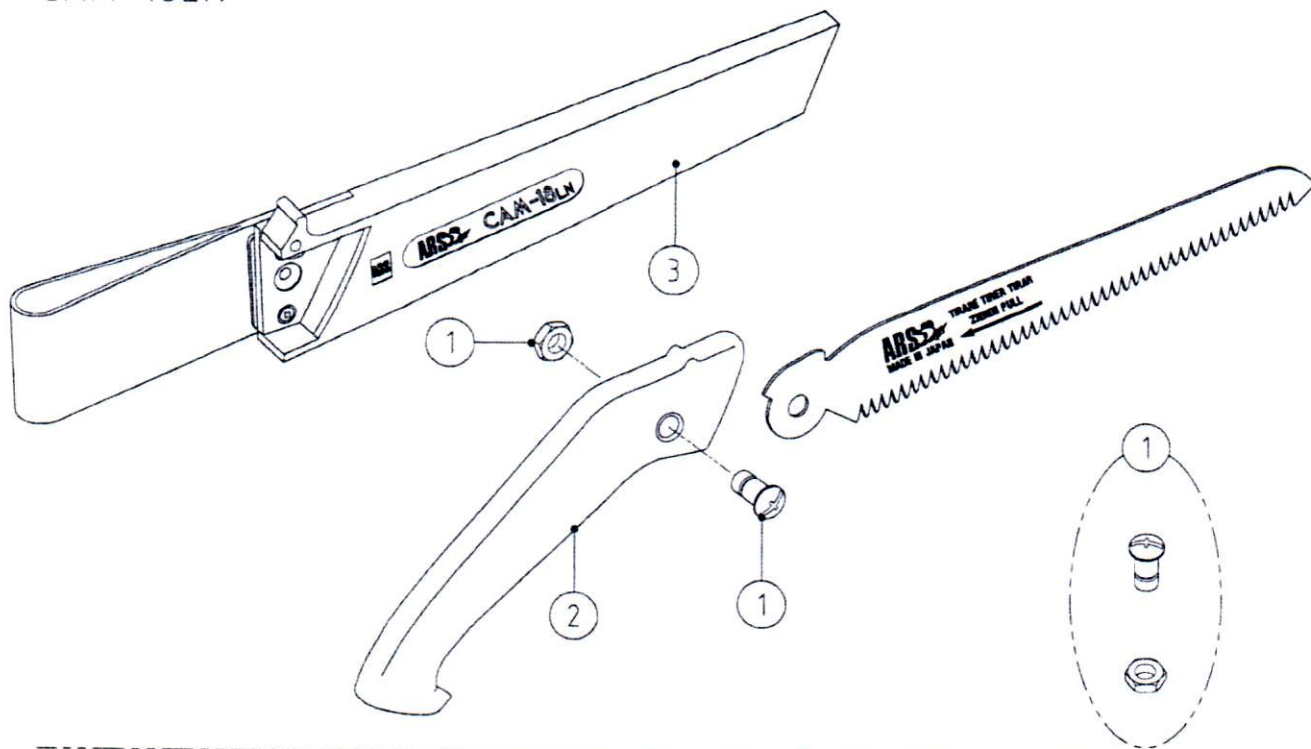
2012-2013

1. PRUNING SAW
2. FOLDING SAW
3. POLE SAW
4. PRUNING SHEARS
5. FRUITS PRUNERS
6. LONG REACH PRUNERS
7. HEDGE SHEARS
8. LOPPING SHEARS
9. OTHER SHEARS



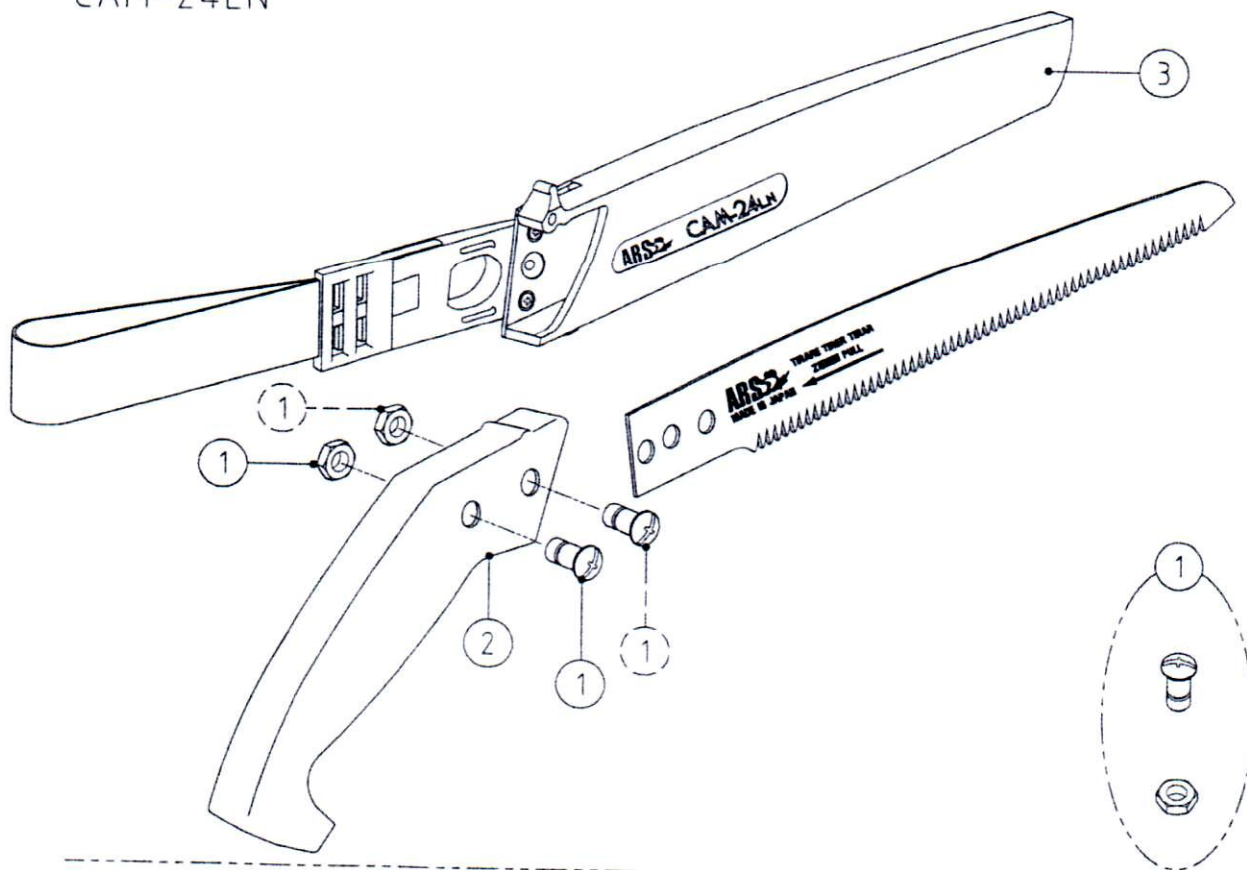
《 PRUNING SAW 》

CAM-18LN



- ① SP-5 Bolt & Nut for CAM-18LN/24LN
- ② SP-158 Grip for CAM-18LN
- ③ SP-295 Sheath for CAM-18LN

CAM-24LN

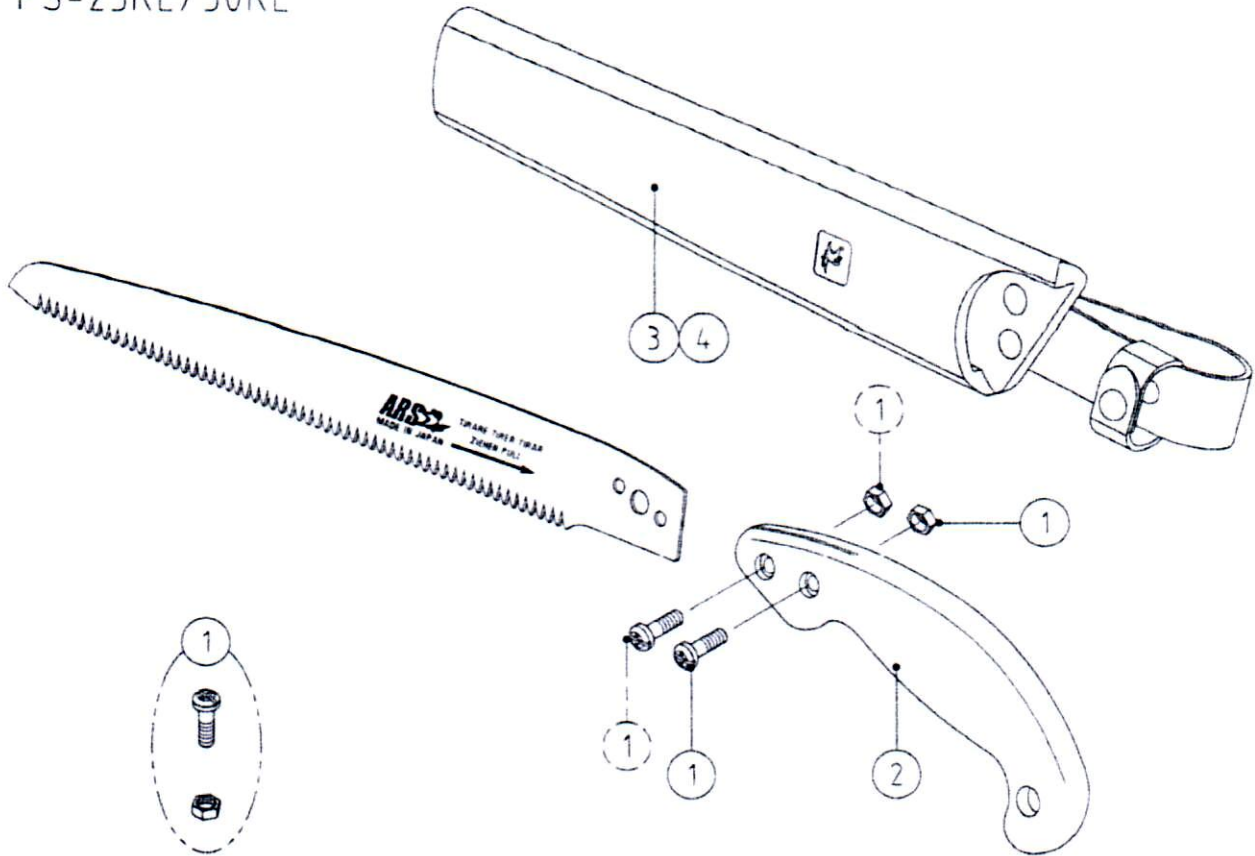


- ① SP-5 Bolt & Nut for CAM-18LN/24LN (1pc each)
- ② SP-272 Grip for CAM-24LN
- ③ SP-293 Sheath for CAM-24LN

《 PRUNING SAW 》

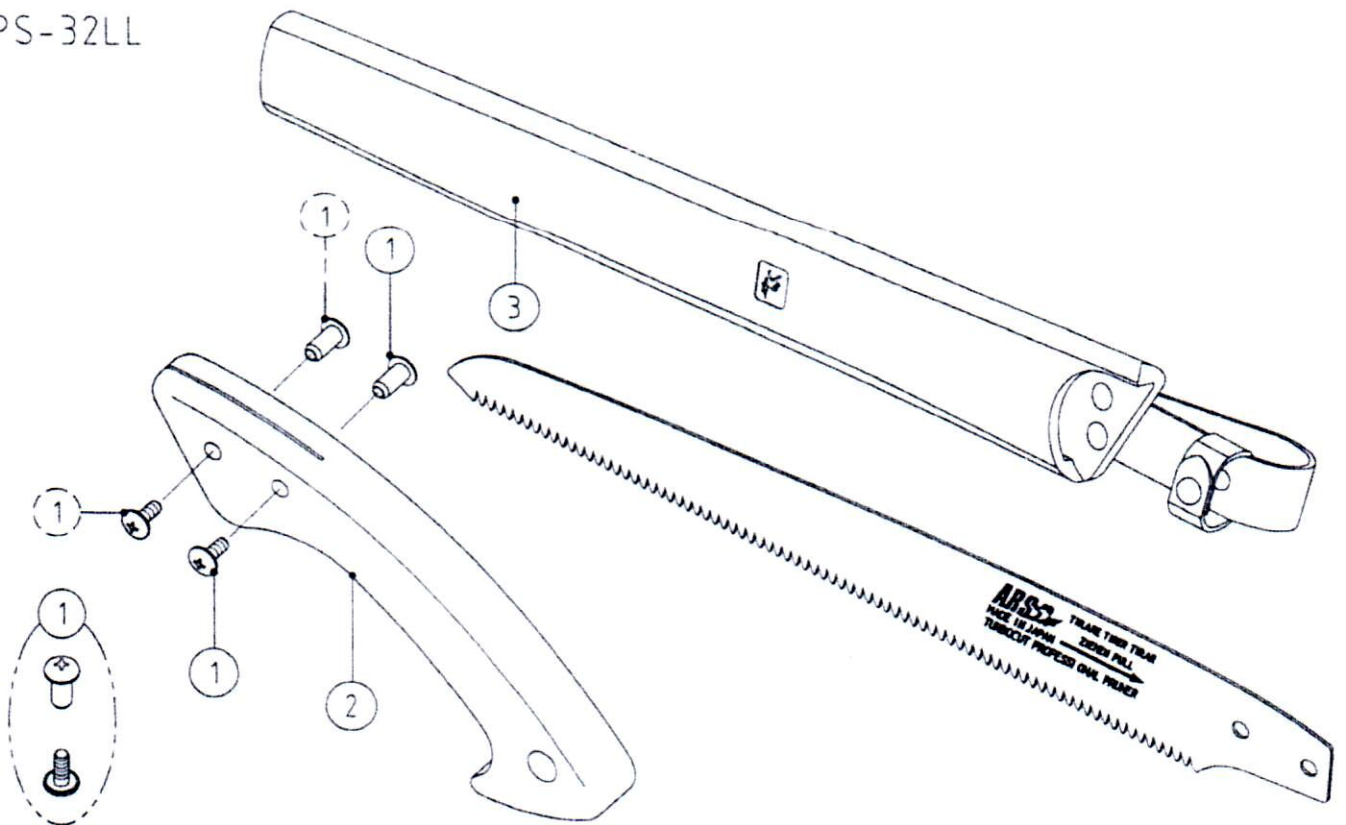
NO 2

PS-25KL/30KL

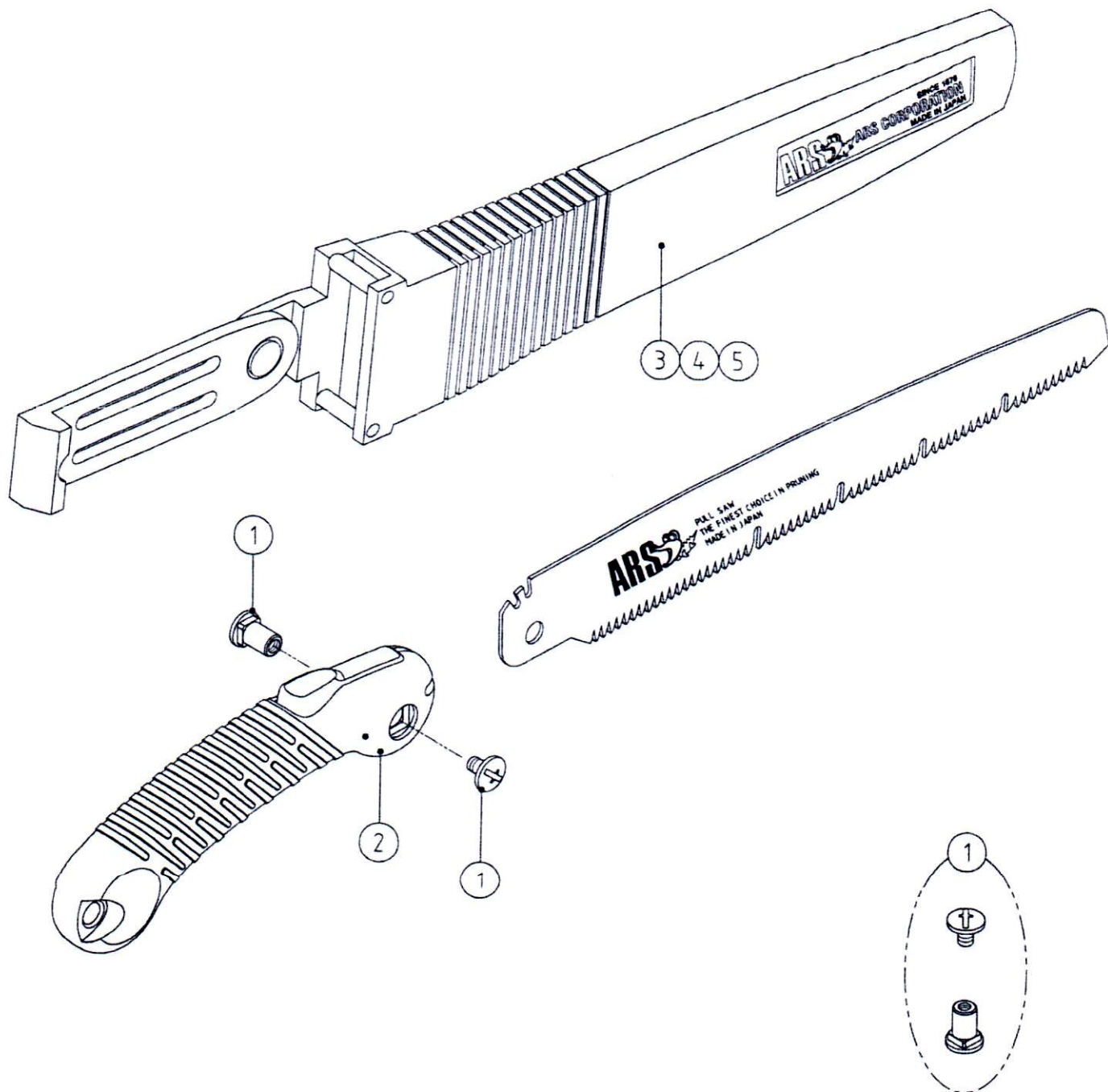


-
- ① SP-6 Bolt & Nut for PS-25KL/30KL (1pc each)
 - ③ SH-25 EX Sheath for PS-25KL
 - ② SP-160 Wooden Grip for PS-25KL/30KL
 - ④ SH-30 EX Sheath for PS-30KL
-

PS-32LL

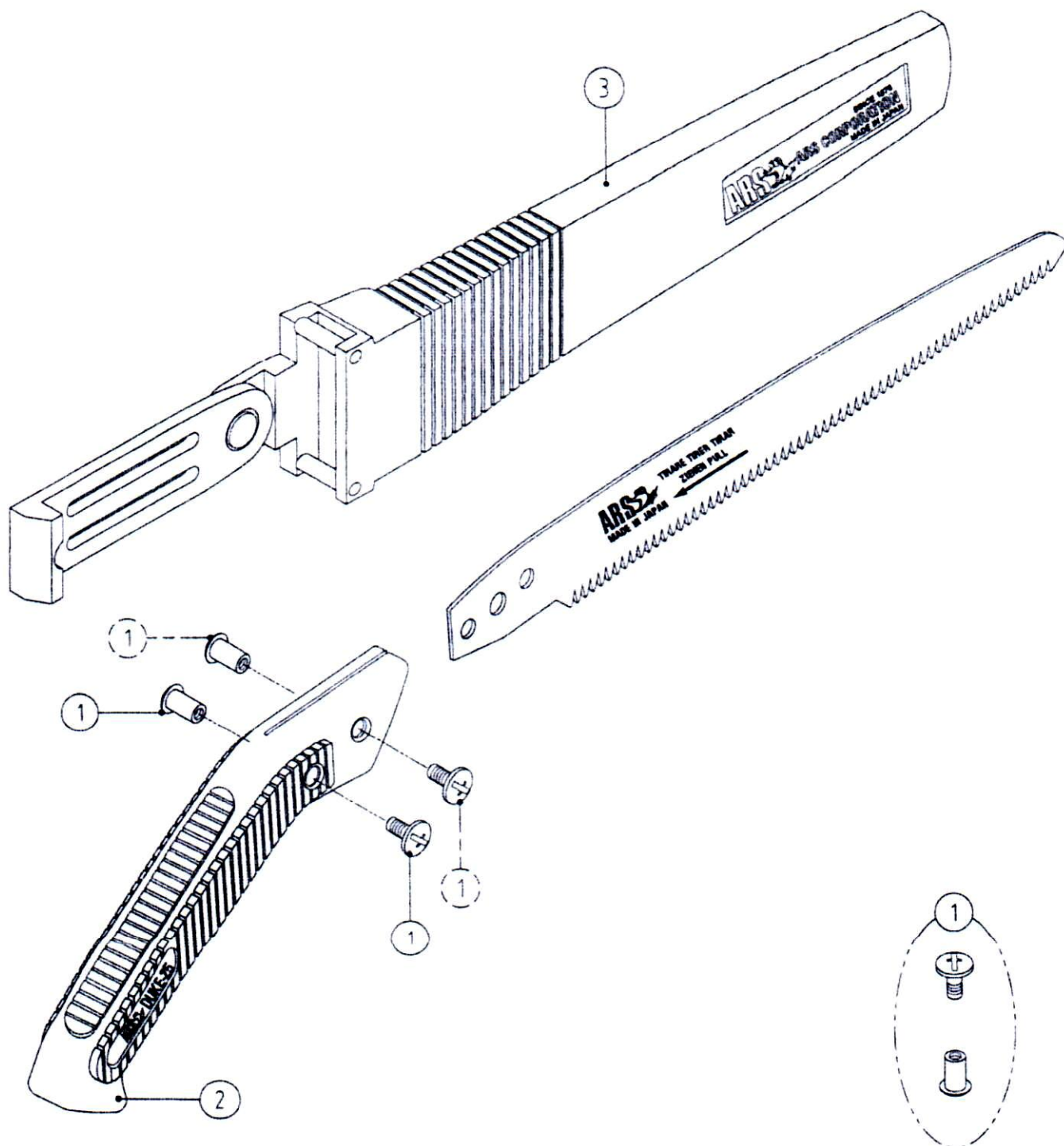


-
- ① SP-94 Bolt & Nut for PS-32LL (1pc each)
 - ② SP-321 Wooden Grip for PS-32LL
 - ③ SH-32 EX Sheath for PS-30KL



- ① SP-50 Bolt & Nut for TL-24/27/30
- ② SP-289 Grip for TL-24/27/30
- ③ SP-274 Sheath for TL-24
- ④ SP-286 Sheath for TL-27
- ⑤ SP-287 Sheath for TL-30

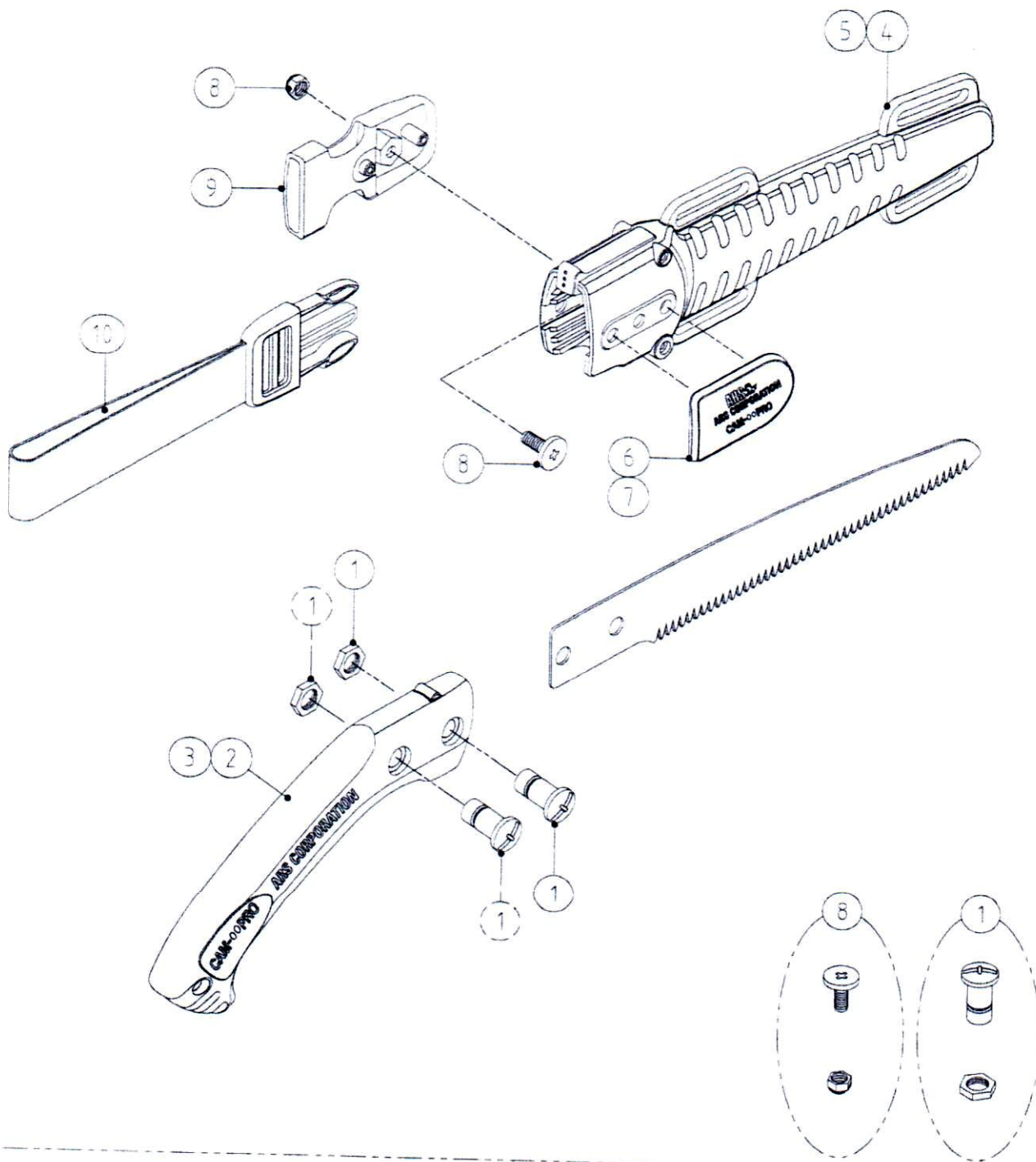
DUKE-25



-
- ① SP-266 Bolt & Nut for DUKE-25 (1pc each)
 - ② SP-267 Grip for DUKE-25
 - ③ SP-268 Sheath for DUKE-25

《 PRUNING SAW 》

CAM-18PRO/CAM-24PRO



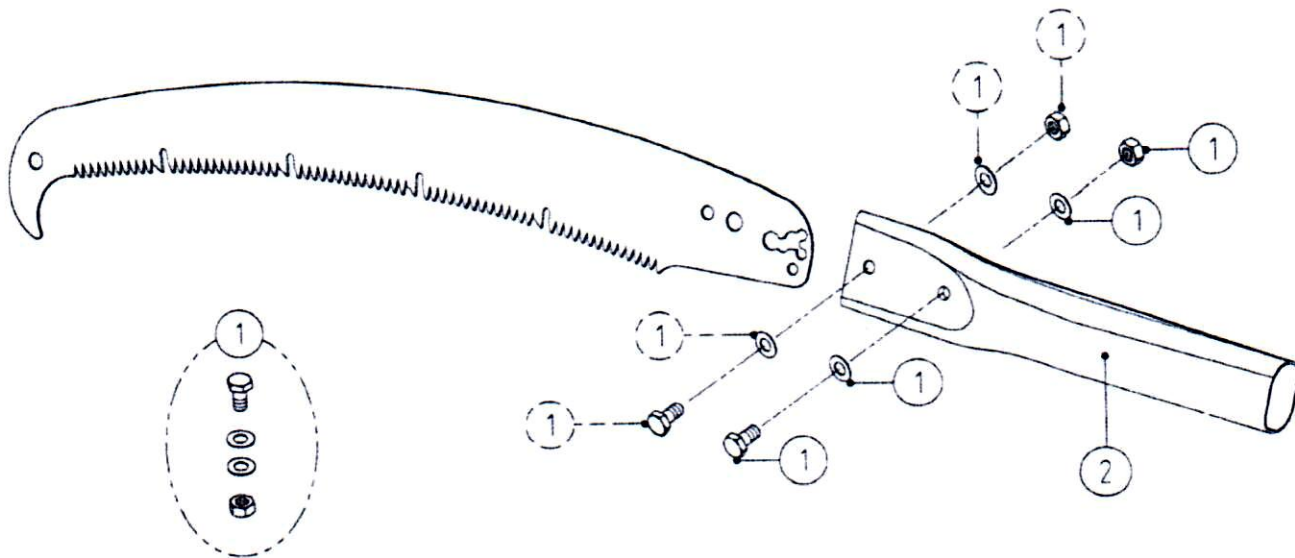
- ① SP-359 Bolt & Nut for CAM-PRO/CT-32PRO/32PRO-W & UV-32PRO/32PRO-W (1pc each)
- ② SP-360 Grip for CAM-18PRO
- ③ SP-361 Grip for CAM-24PRO
- ④ SP-362 Sheath only, for CAM-18PRO (w/o Name Plate or Belt Clip)
- ⑤ SP-363 Sheath only, for CAM-24PRO (w/o Name Plate or Belt Clip)

- ⑥ SP-364 Name Plate for CAM-18PRO
- ⑦ SP-365 Name Plate for CAM-24PRO
- ⑧ SP-366 Bolt & Nylon Nut for the Belt Clip of CAM-PRO/CT-32PRO/UV-32PRO
- ⑨ SP-367 Belt Clip for CAM-PRO/CT-32PRO/UV-32PRO
- ⑩ SP-368 Belt for CAM-PRO/CT-32PRO/UV-32PRO

《 PRUNING SAW 》

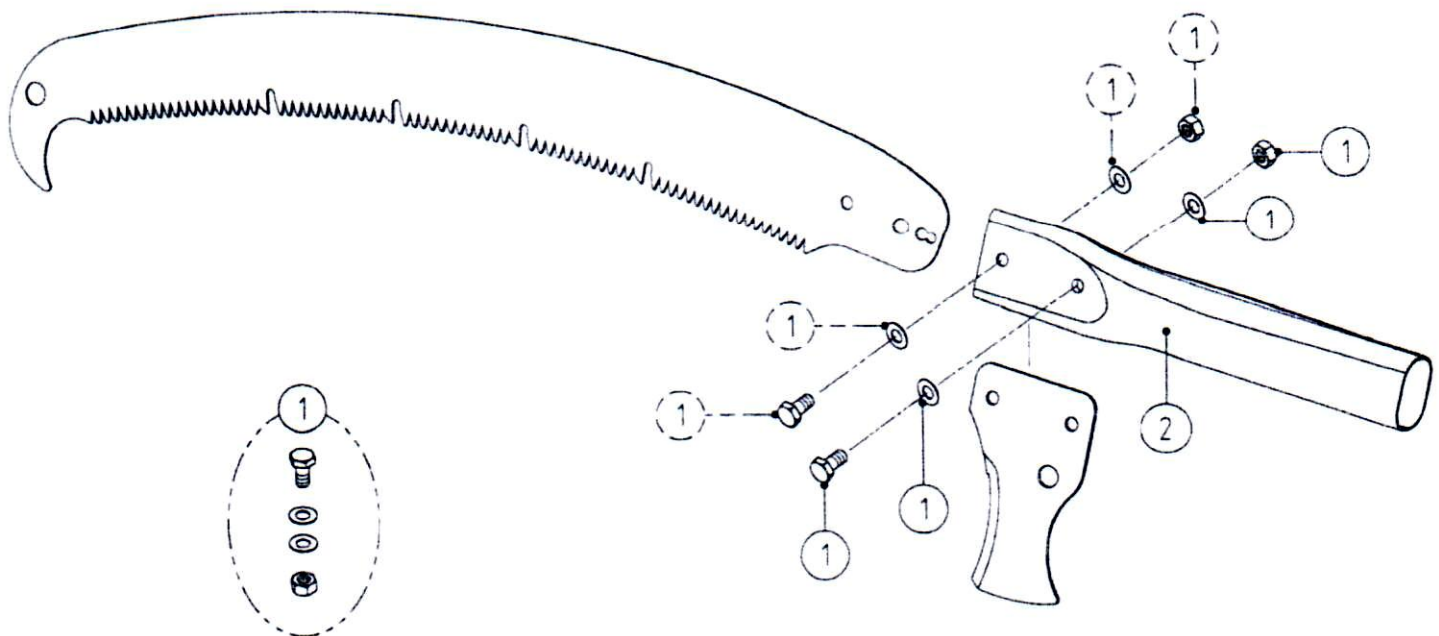
UV-34/CT-34

NO 6

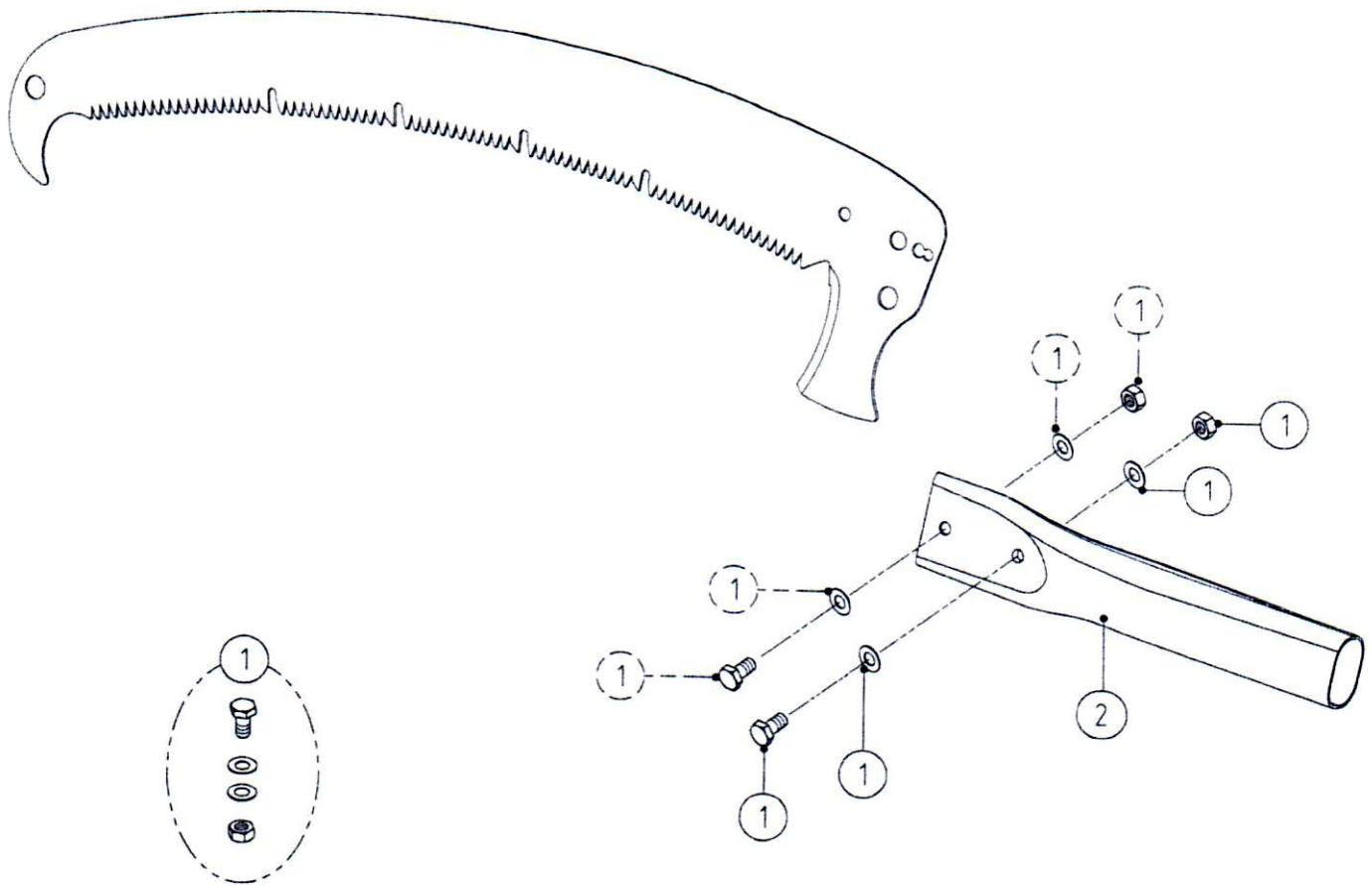


-
- ① SP-146 1 Bolt, 1 Nut and 2 Washers for UV-/34/40/47 and CT-34
 - ② JG-2 EX Grip Set for UV-34/CT-34

UV-40

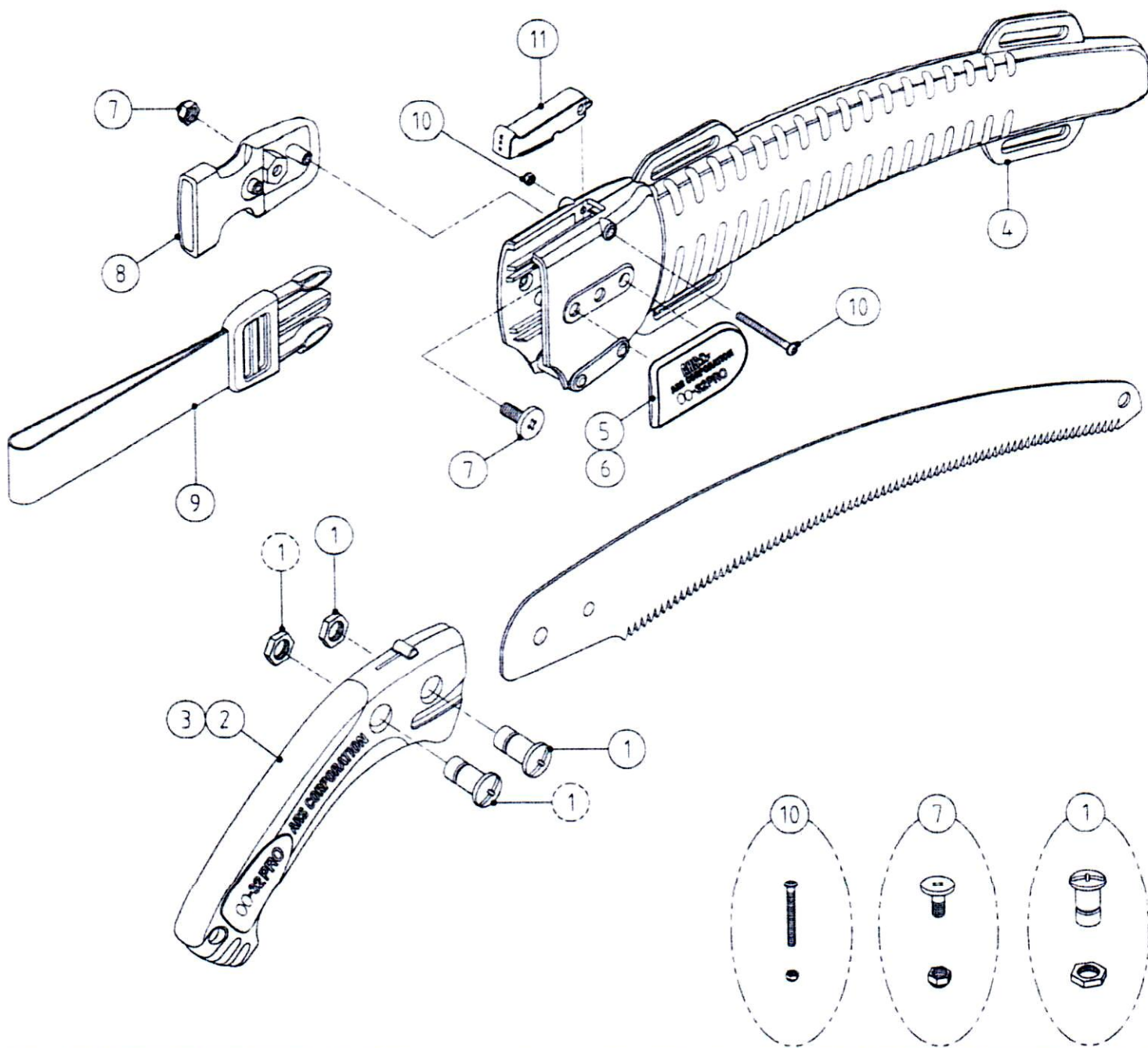


-
- ① SP-146 1 Bolt, 1 Nut and 2 Washers for UV-34/40/47 and CT-34
 - ② JG-1 EX Grip Set for UV-40/UV-47
 - JG-2 EX Grip Set for CT-34/UV-34/CT-32PRO-EXP/UV-32PRO-EXP
 - JG-3 EX Grip Set, all round type
 - JG-4 EX Grip Set, for universal pole pruner



-
- ① SP-146 1 Bolt, 1 Nut and 2 Washers for UV-34/40/47 and CT-34
 - ② JG-1 EX Grip Set for UV-40/UV-47
 - JG-2 EX Grip Set for CT-34/UV-34/CT-32PRO-EXP/UV-32PRO-EXP
 - JG-3 EX Grip Set, all round type
 - JG-4 EX Grip Set, for universal pole pruner

CT-32PRO/UV-32PRO

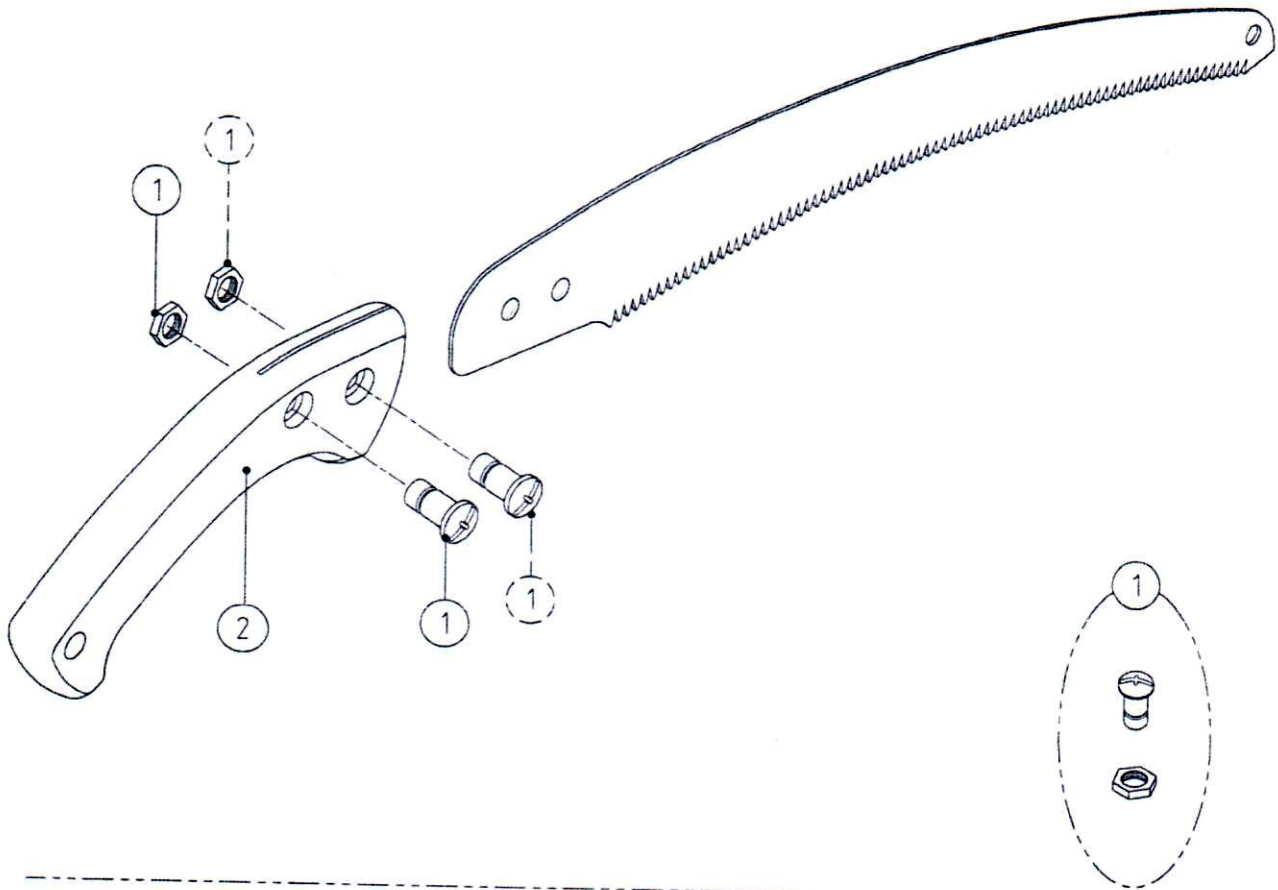


- | | |
|---|--|
| <p>① SP-359 Bolt & Nut for CAM-PRO/CT-32PRO/32PRO-W and UV-32PRO/32PRO-W (1pc each)</p> <p>② SP-369 Grip for CT-32PRO</p> <p>③ SP-374 Grip for UV-32PRO</p> <p>④ SP-370 Sheath for CT/UV-32PRO/-EXP (w/o Stopper, Name Plate or Belt Clip)</p> <p>⑤ SP-371 Name Plate for CT-32PRO</p> <p>⑥ SP-375 Name Plate for UV-32PRO</p> <p>⑦ SP-366 Bolt & Nylon Nut for the Belt Clip of CAM-PRO/CT-32PRO/UV-32PRO UV-32PRO</p> | <p>⑧ SP-367 Belt Clip for CAM-PRO/CT-32PRO/UV-32PRO</p> <p>⑨ SP-368 Belt for CAM-PRO/CT-32PRO/UV-32PRO</p> <p>⑩ SP-373 Bolt & Nylon Nut for the Stopper of CT-32PRO/UV-32PRO</p> <p>⑪ SP-372 Stopper for CT-32PRO/UV-32PRO</p> |
|---|--|

《 PRUNING SAW 》

CT-32PRO-W/UV-32PRO-W

NO.9

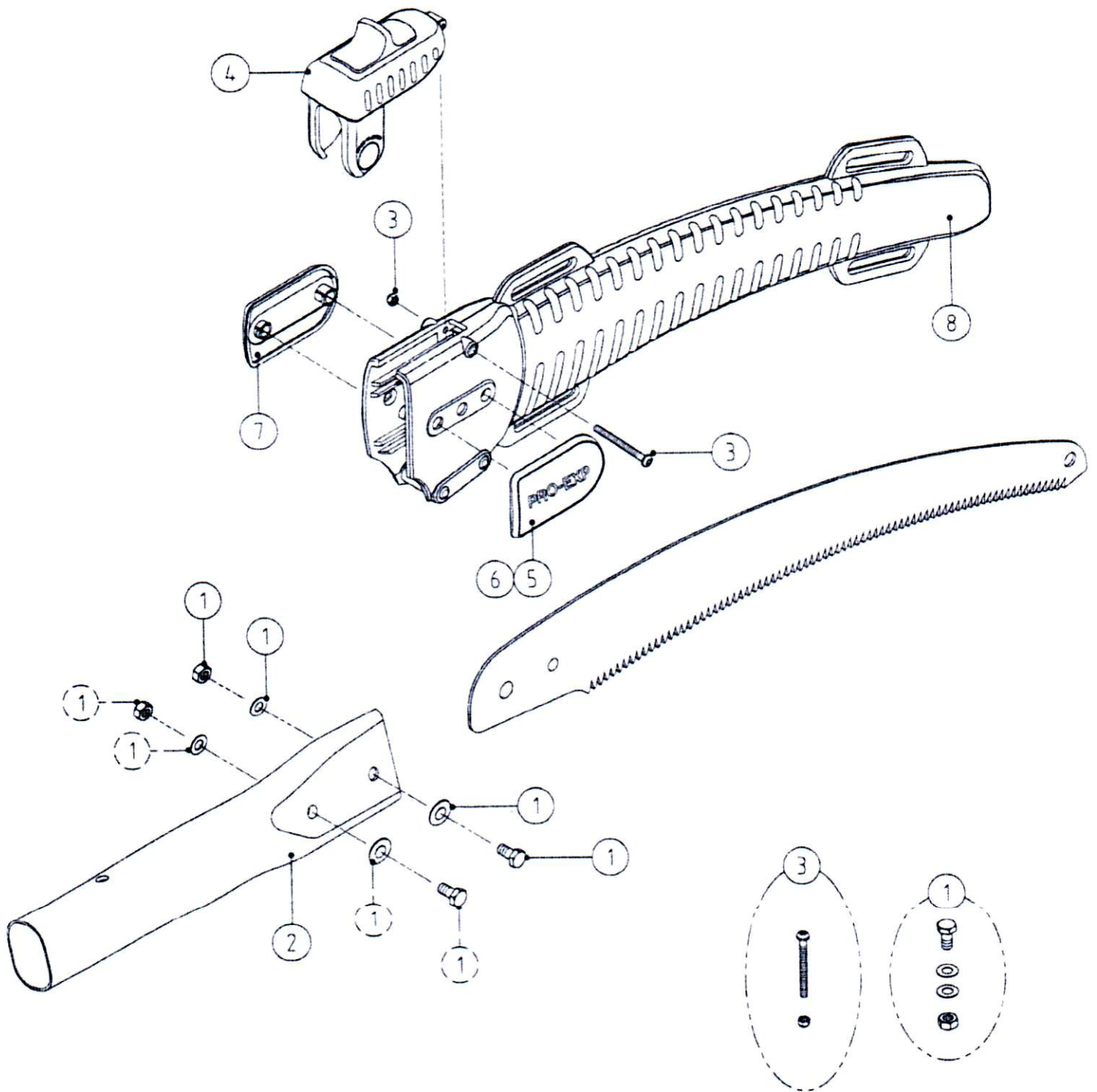


-
- ① SP-359 Bolt & Nut for CAM-PRO/CT-32PRO/32PRO-W & UV-32PRO/32PRO-W (1pc each)
 - ② SP-378 Wooden grip for CT-32PRO-W/UV-32PRO-W

《 PRUNING SAW 》

CT-32PRO-EXP/UV-32PRO-EXP

NO.10

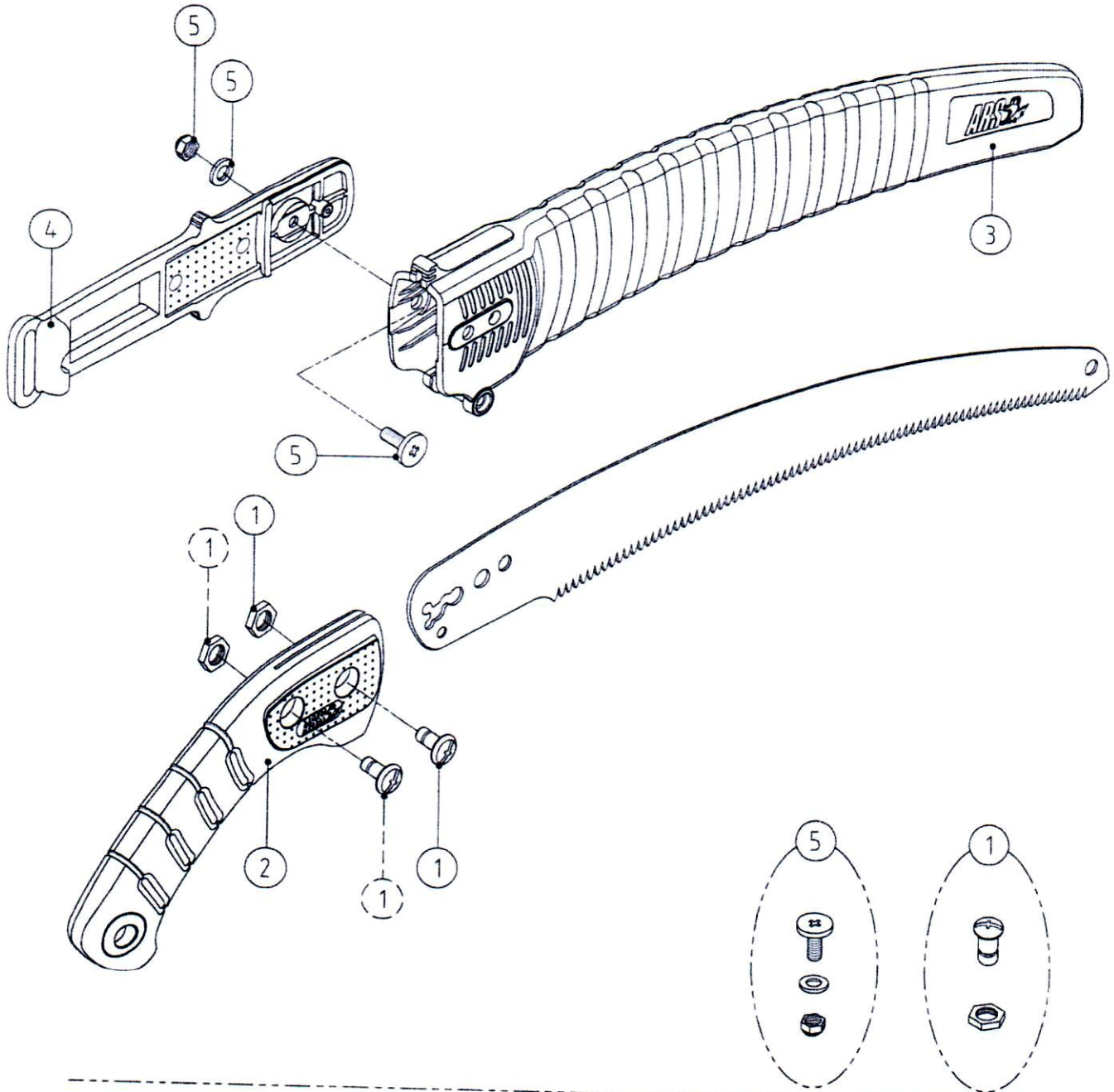


-
- ① SP-146 1 Bolt, 1 Nut and 2 Washers
 - ② JG-2 EX Grip Set for CT-34/UV-34/CT-32PRO-EXP/UV-32PRO-EXP
 - ③ SP-373 Bolt & Nylon Nut for the Stopper of PRO-EXP/CAM-PRO/CT-32PRO/UV-32PRO
 - ④ SP-376 Stopper for CT/UV-32PRO-EXP
 - ⑤ SP-371 Name Plate for CT-32PRO
 - ⑥ SP-375 Name Plate for UV-32PRO
 - ⑦ SP-377 Name Plate for PRO-EXP
 - ⑧ SP-370 Sheath for CT/UV-32PRO/-EXP (w/o Stopper, Name Plate or Belt Clip)

《 PRUNING SAW 》

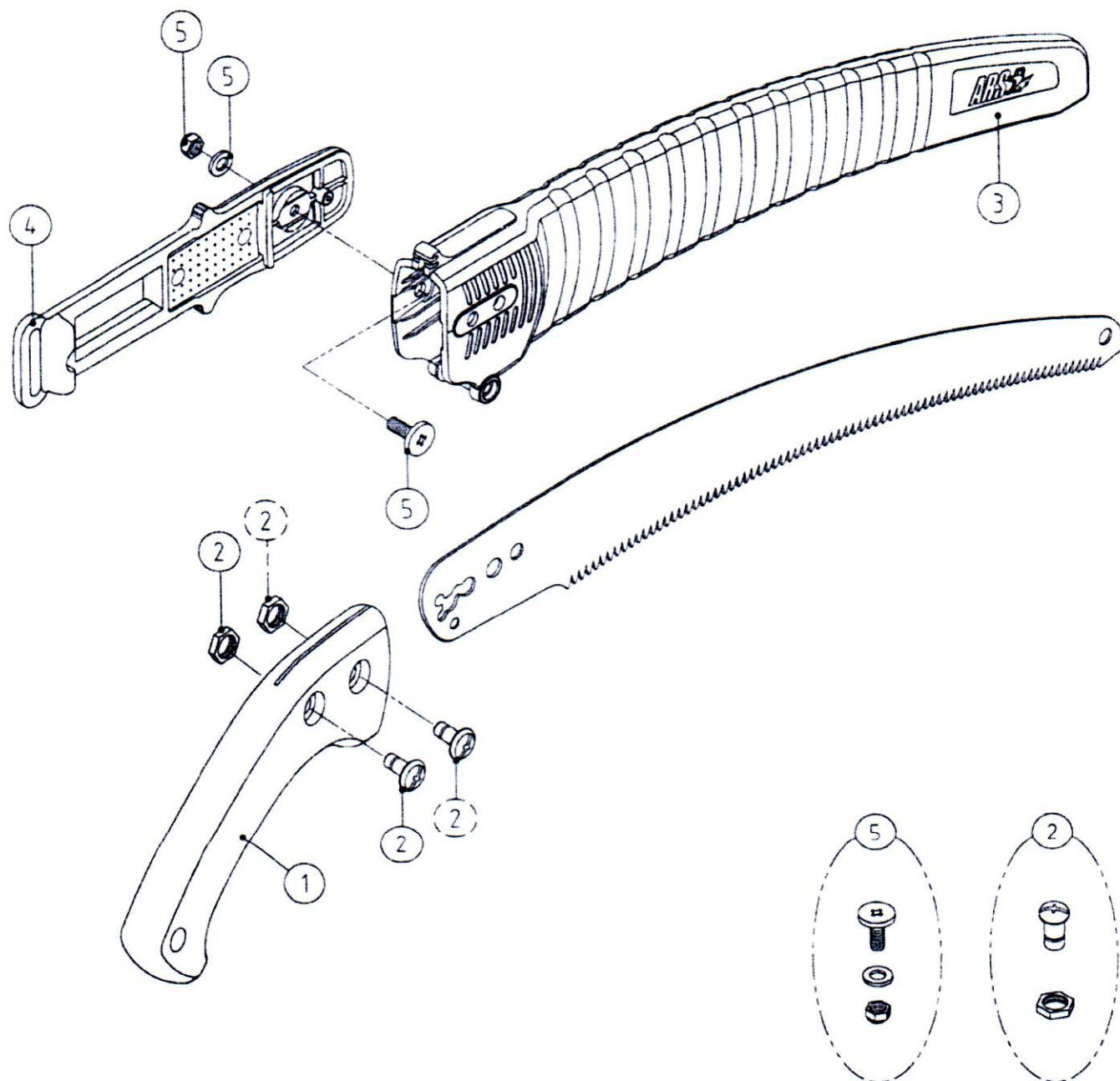
CT-32E/UV-32E

NO.11



-
- ① SP-126 Bolt & Nylon Nut for CT/UV-32E Series (1pc each)
 - ② SP-405 Rubber Coated Plastic Grip for CT-32E and UV-32E
 - ③ SP-406 Sheath for 32E Series (without belt loop or any other part)
 - ④ SP-407 Belt Loop for CT-32E/32E-W and UV-32E/32E-W
 - ⑤ SP-408 Bolt, Nylon Nut and Washer for the Sheath of CT-32E/32E-W & UV-32E/32E-W

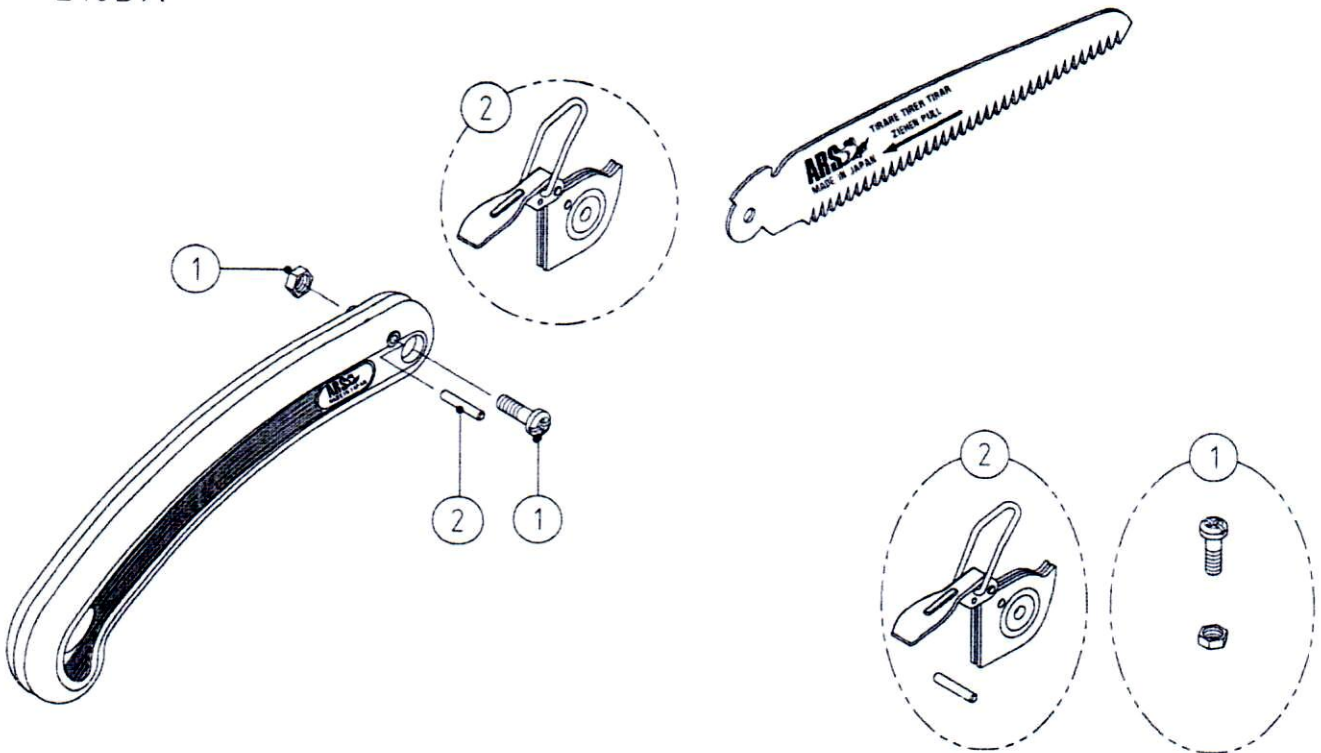
CT-32E-W/UV-32E-W



- ① SP-378 Wooden Grip for CT-32E-W and UV-32E-W
- ② SP-126 Bolt & Nut for CT/UV-32E SERIES (1pc each)
- ③ SP-406 Sheath for CT-32E/32E-W and UV-32E/32E-W
- ④ SP-407 Belt Loop for CT-32E/32E-W and UV-32E/32E-W
- ⑤ SP-408 Bolt, Nylon Nut and Washer for the Sheath of CT-32E/32E-W and UV-32E/32E-W

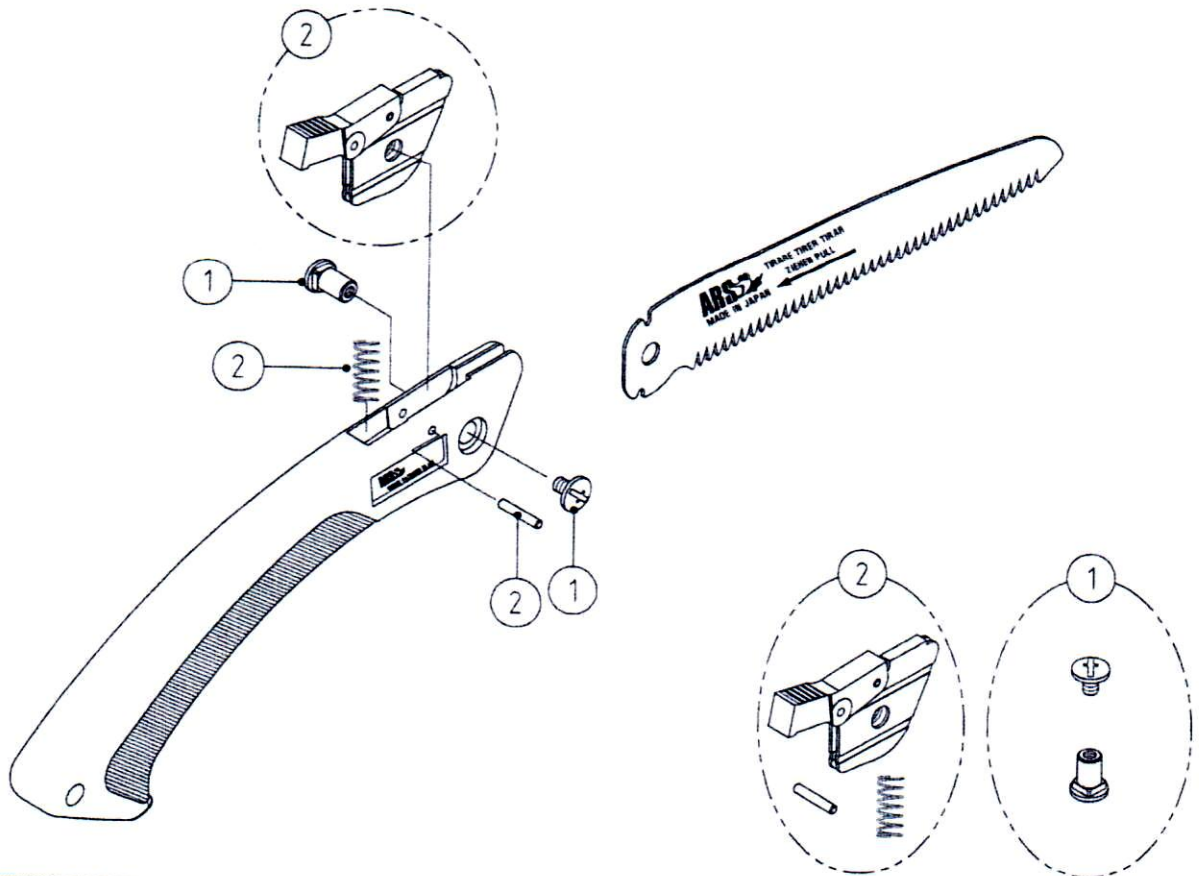
《 FOLDING SAW 》

210DX



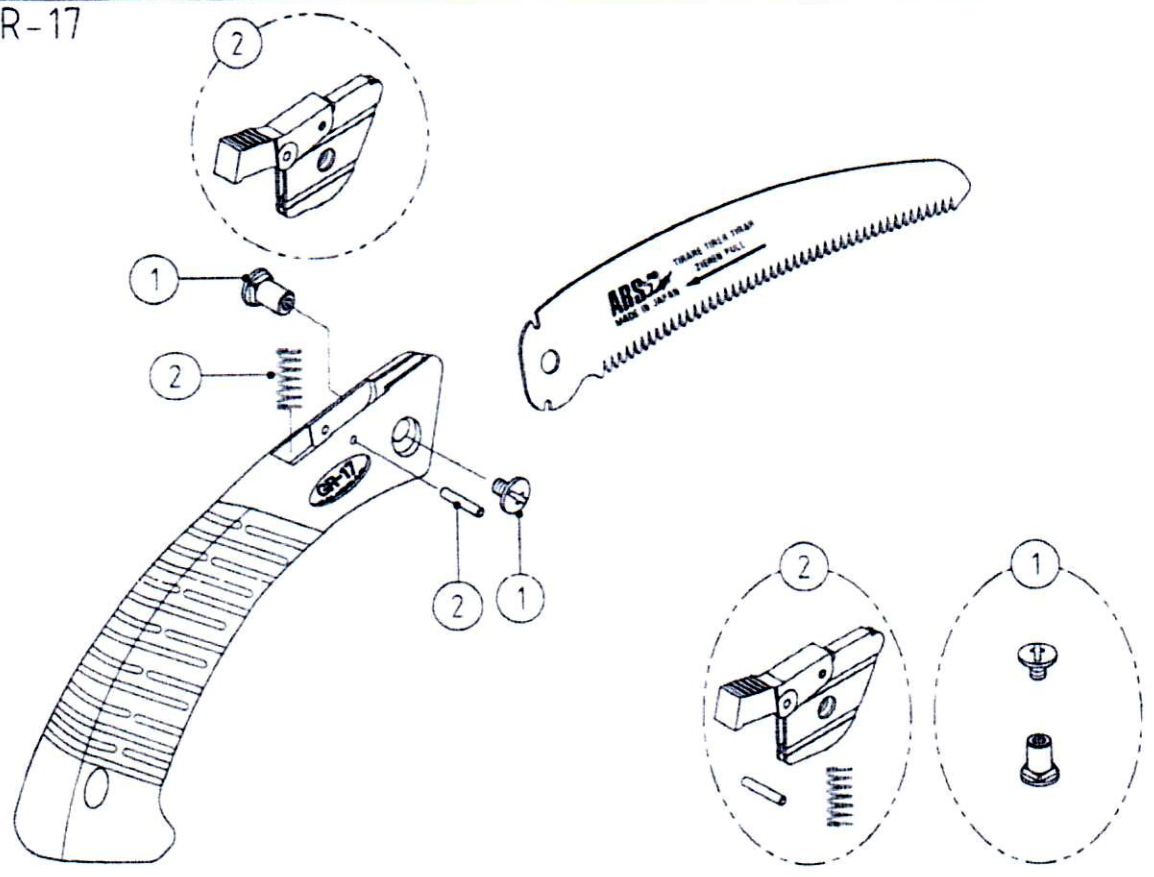
- ① SP-3 Bolt & Nut for 210DX
- ② SP-179 Stopper Set for 210DX

Z-17



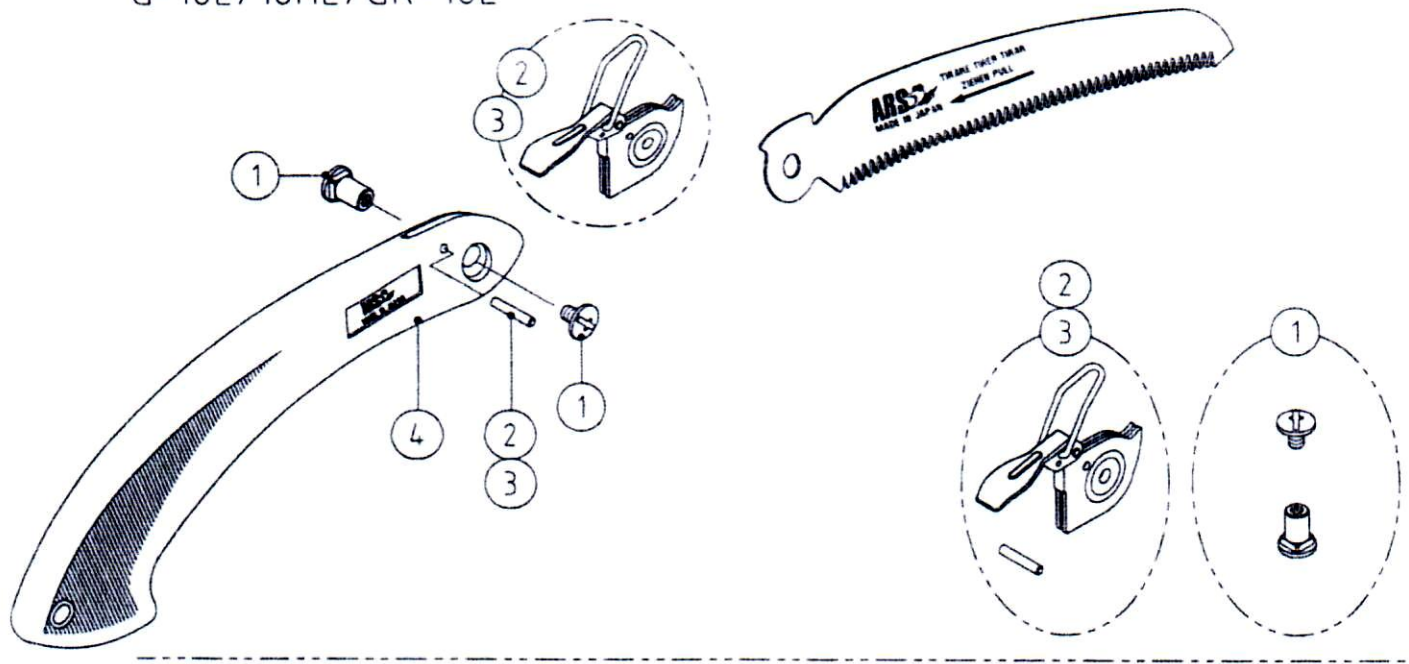
- ① SP-118 Bolt & Nut for Z-17
- ② SP-182 Stopper Set for Z-17

G-17/GR-17



- ① SP-118 Bolt & Nut for G-17/GR-17
- ② SP-182 Stopper Set for G-17/GR-17

G-18L/18HL/GR-18L

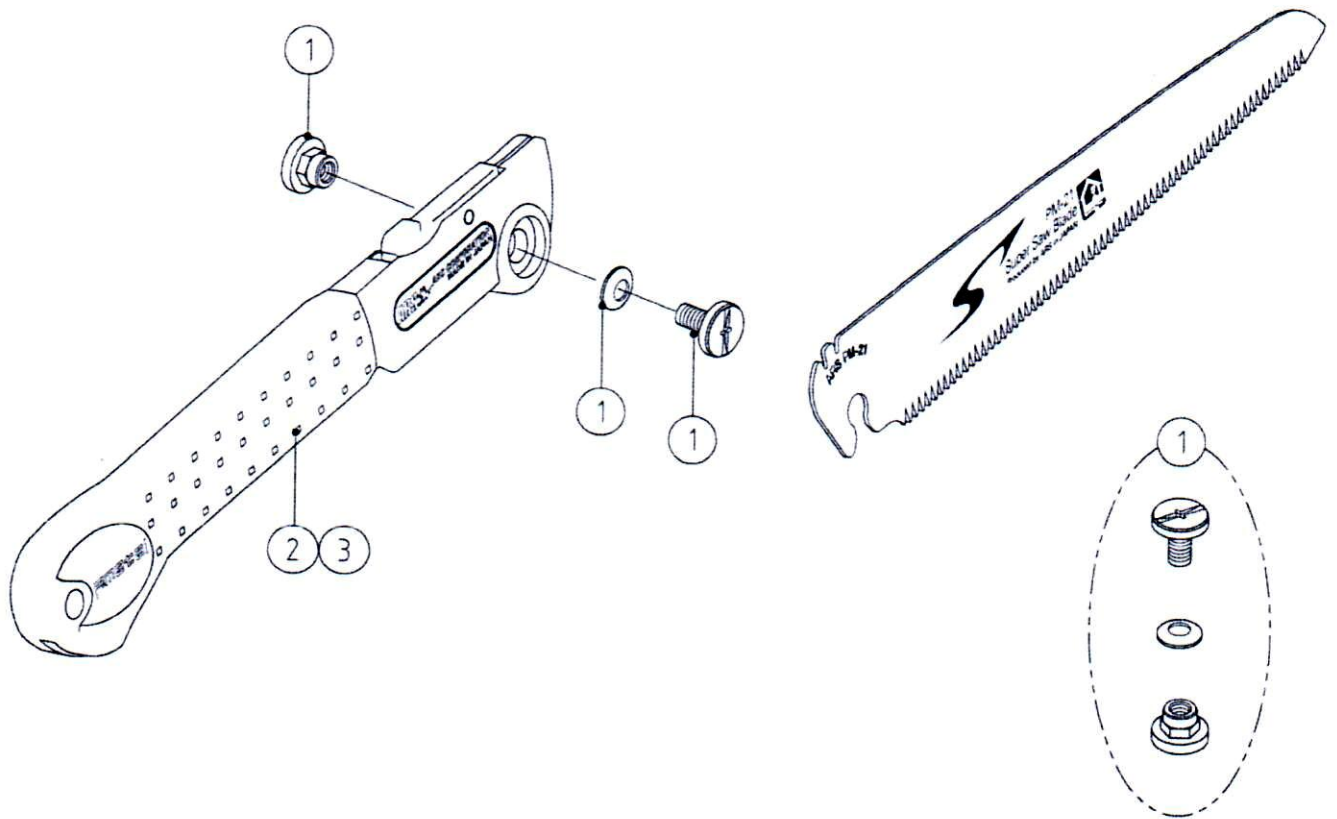


- ① SP-1 Bolt, Nut & Washer for G-18L/18HL/GR-18L
- ② SP-178 Stopper Set for G-18L/18HL
- ③ SP-317 Stopper Set for GR-18L
- ④ SP-271 Grip Only for G-18L/18HL/GR-18L

《 FOLDING SAW 》

PM-21/21L/24/24L

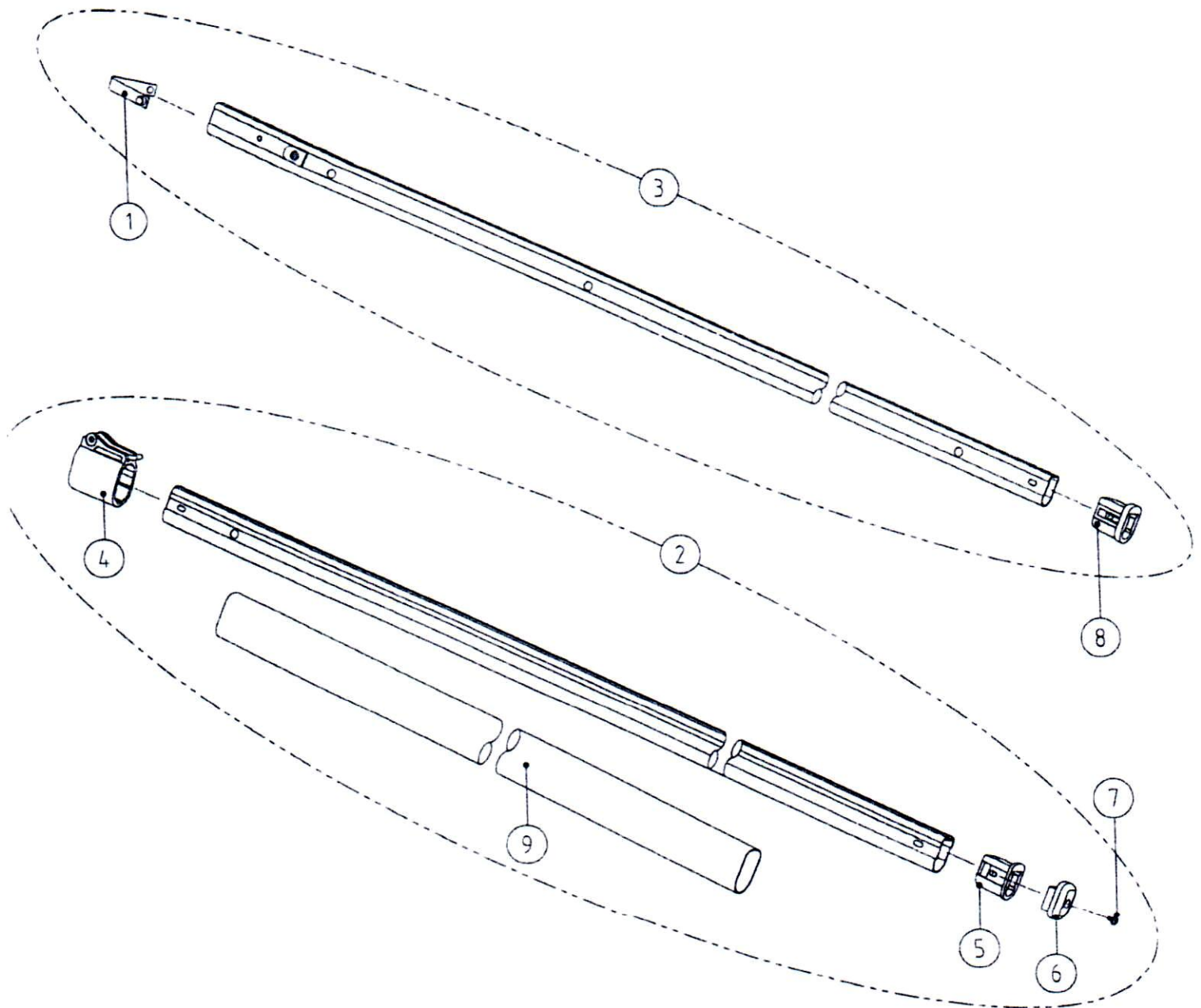
NO.3



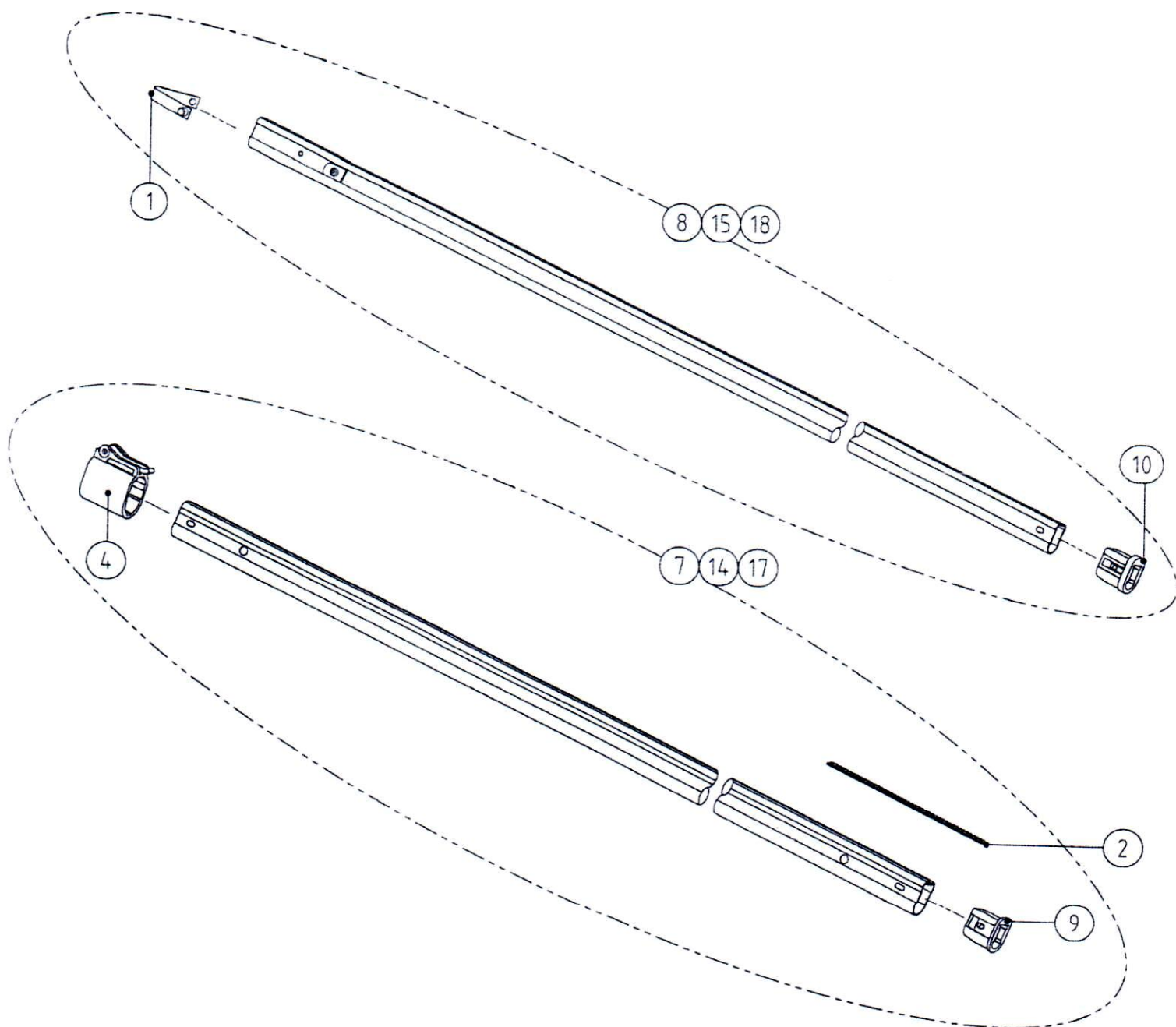
-
- ① SP-324 Bolt, Nut & Washer for PM-21/21L/24/24L
 - ② SP-325 Grip for PM-21/21L
 - ③ SP-326 Grip for PM-24/24L
-

《 POLE SAW 》

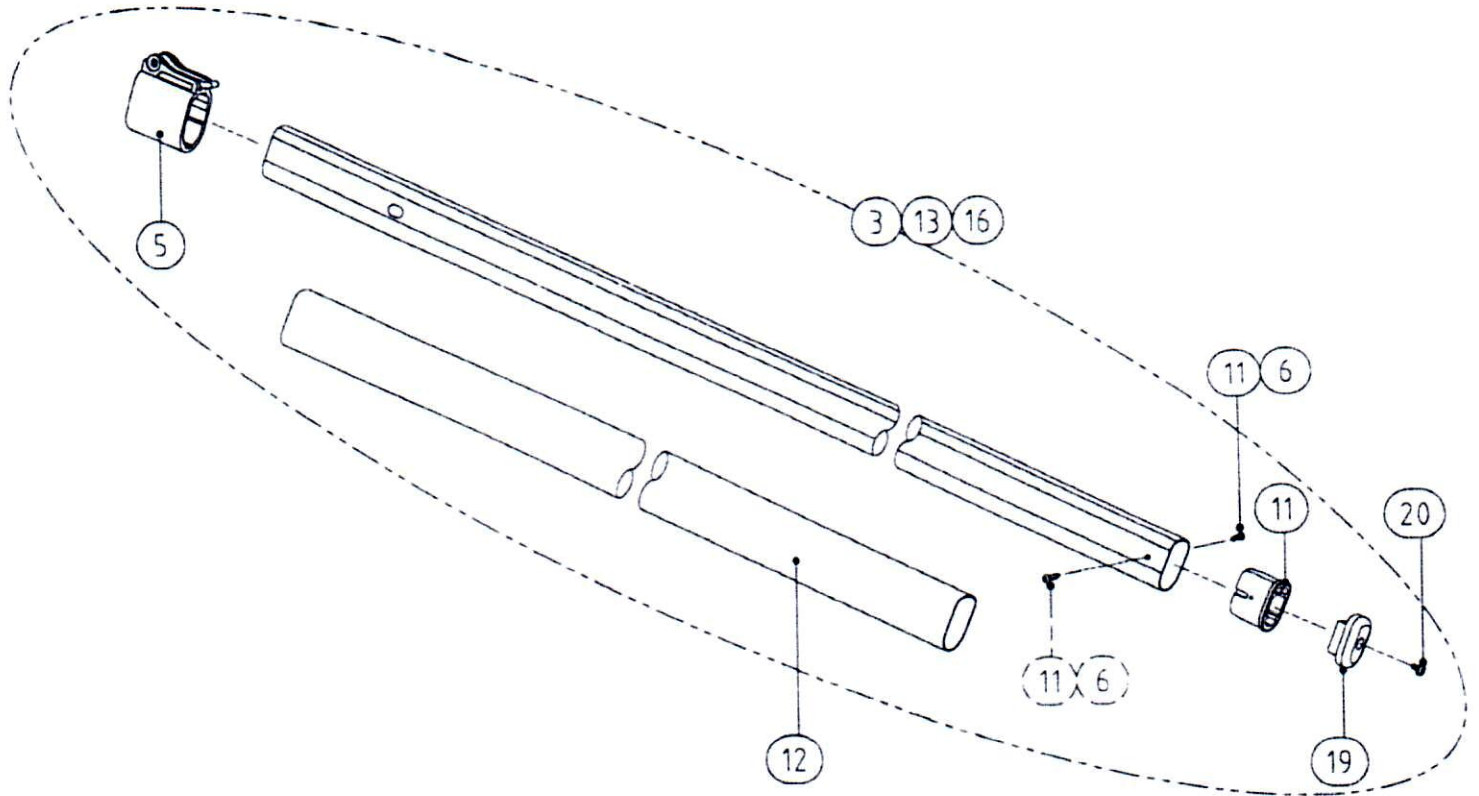
EXP-2.3



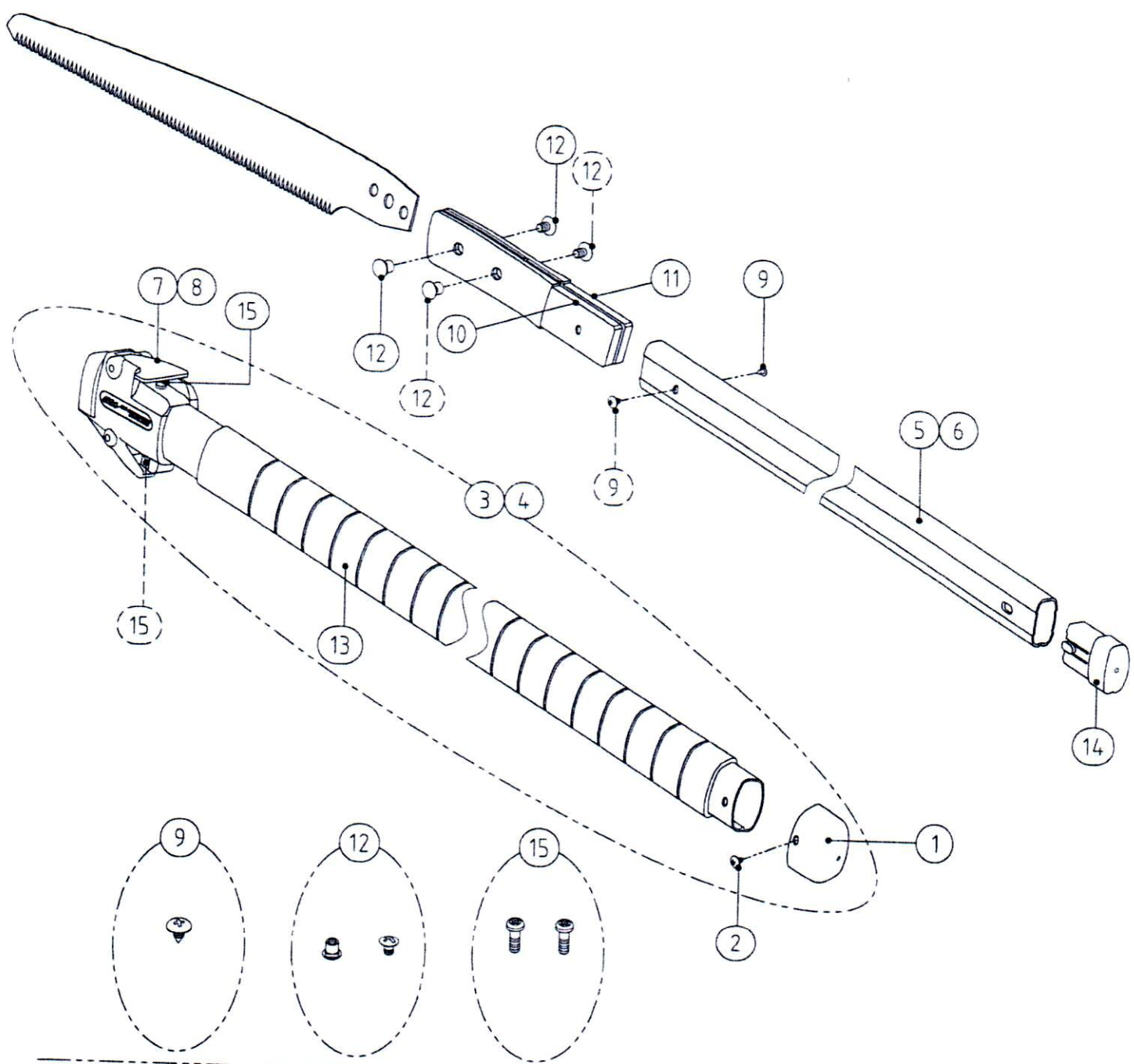
- ① SP-110 Press Button w/spring
- ② SP-332 B Pipe for EXP-2.3 with Grip Cover
- ③ SP-329 C Pipe for EXP-2.3/3.3
- ④ SP-113-C Stopper Set for B Pipe of EXP-4.5
- ⑤ SP-119 Endcap B
- ⑥ SP-330 Rubber Cushion for EXP Series
- ⑦ SP-331 Screw for EXP Series
- ⑧ SP-120 Endcap C
- ⑨ SP-122 Grip Cover



- | | | | | | |
|---|----------|---|---|--------|------------------------|
| ① | SP-110 | Press Button w/spring | ⑨ | SP-119 | Endcap B |
| ② | SP-111 | Plastic Guide for EXP-4.5/EXP-5.5(1pc.) | ⑩ | SP-120 | Endcap C |
| | SP-111-A | Plastic Guide Set for EXP-4.5 (6pcs.) | ⑭ | SP-103 | B Pipe for EXP-5.5 |
| | SP-111-B | Plastic Guide Set for EXP-5.5 (8pcs.) | ⑮ | SP-104 | C Pipe for EXP-5.5 |
| | SP-111-C | Plastic Guide Set for EXP-3.3 (5pcs.) | ⑰ | SP-328 | B Pipe for EXP-3.3 |
| ④ | SP-113-B | Stopper Set for B Pipe of EXP-4.5 | ⑱ | SP-329 | C Pipe for EXP-2.3/3.3 |
| | SP-113-A | Stopper Set for B Pipe of EXP-5.5 | | | |
| | SP-113-D | Stopper Set for B Pipe of EXP-3.3 | | | |
| ⑦ | SP-116 | B Pipe for EXP-4.5 | | | |
| ⑧ | SP-117 | C Pipe for EXP-4.5 | | | |



-
- ③ SP-112 A Pipe for EXP-4.5
 - ⑤ SP-114 Stopper Set for A Pipe
 - ⑥ SP-121 Screw for Endcap A (2pcs)
 - ⑪ SP-115 Endcap A with 2 Screws
 - ⑬ SP-102 A Pipe for EXP-5.5
 - ⑯ SP-327 A Pipe for EXP-3.3
 - ⑰ SP-330 Rubber Cushion for EXP Series
 - ⑳ SP-331 Screw for EXP Series

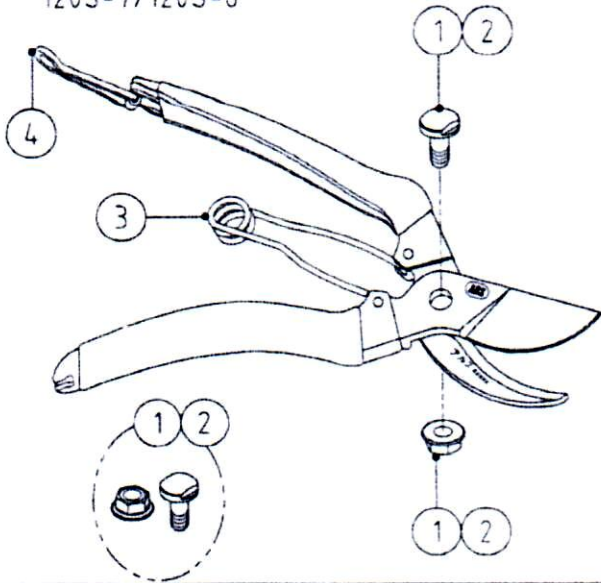


- | | | | |
|----------|---|------------|---|
| ① SP-300 | Endcap for the bottom pipe | ⑦ SP-304-A | Joint Case for EXW-1.8 |
| ② SP-301 | holding screw | ⑧ SP-304-B | Joint Case for EXW-2.7 |
| ③ SP-302 | Bottom Grip Set for EXW-1.8
incl.grip and joint case | ⑨ SP-305 | Holder fixing Bolt (1pc.) |
| ④ SP-311 | Bottom Grip Set for EXW-2.7
incl.grip and joint case | ⑩ SP-307 | Blade holder (Left) |
| ⑤ SP-303 | Inner Pipe for EXW-1.8
(w/o blade holder) | ⑪ SP-306 | Blade holder (Right) |
| ⑥ SP-312 | Inner Pipe for EXW-2.7
(w/o blade holder) | ⑫ SP-308 | Blade Holding Bolt/Nut (1pc.each) |
| | | ⑬ SP-309 | Plastic Grip only for the Bottom
Pipe (1/2pc.) |
| | | ⑭ SP-310 | Endcap for Inner Pipe |
| | | ⑮ SP-333 | Screw of Joint Case for EXW
Series (2pcs.) |

《 PRUNING SHEARS 》

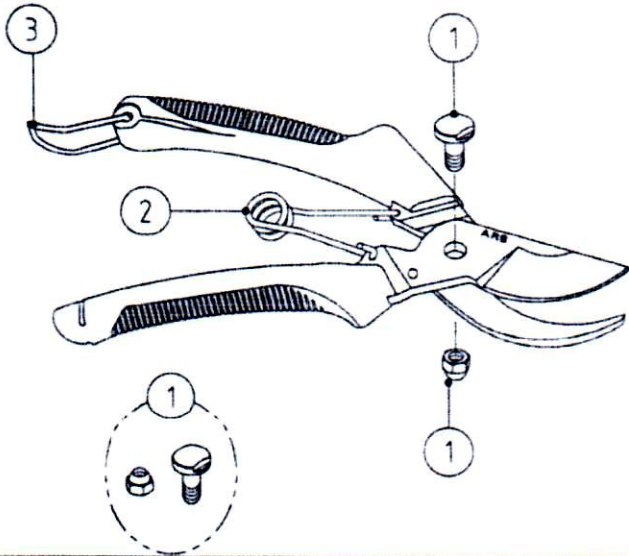
No.1

120S-7/120S-8



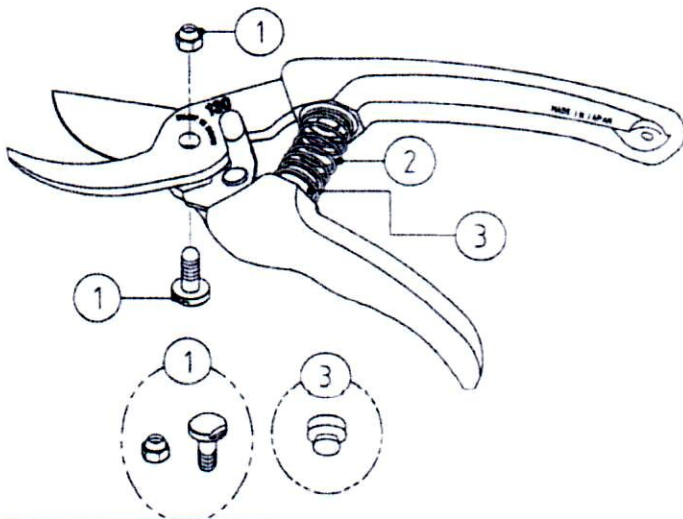
- ① SP-7 Bolt & Nut for 120S-7
- ② SP-8 Bolt & Nut for 120S-8
- ③ SP-9 Spring for 120S-7/120S-8
- ④ SP-10 Steel Hook for 120S-7/120S-8

120DX



- ① SP-14 Bolt & Nylon Nut for 120/130 /140 Series
- ② SP-15 Spring for 120DX/DX-T
- ③ SP-16 Steel Hook for 120DX/DX-T

130DX

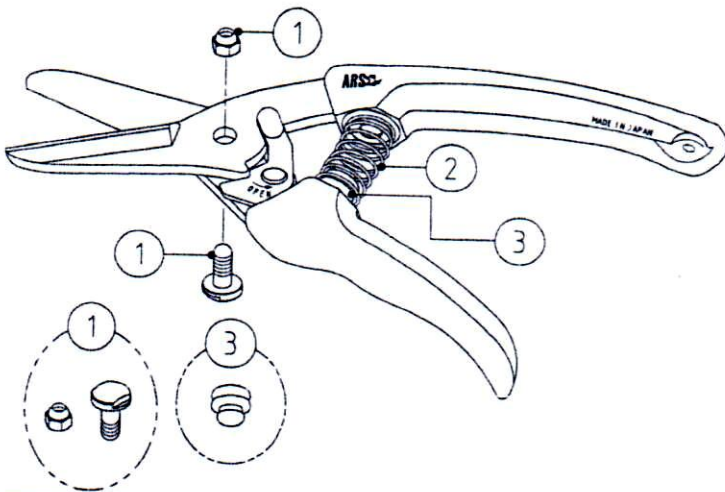


- ① SP-14 Bolt & Nylon Nut for 120/130 /140 Series
- ② SP-61 Spring for 130DX/140DX Series
- ③ SP-70 Rubber Cushion for 120EU/130DX/140DX Series

《PRUNING SHEARS》

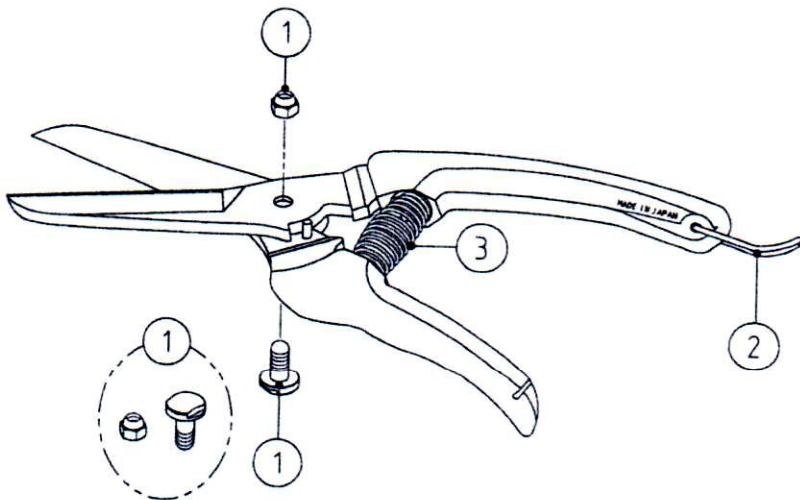
No.2

140-DX



- ① SP-14 Bolt & Nylon Nut for 120/130 /140 Series
- ② SP-61 Spring for 130DX/140DX Series
- ③ SP-70 Rubber Cushion for 120EU/130DX/140DX Series

140L-DX

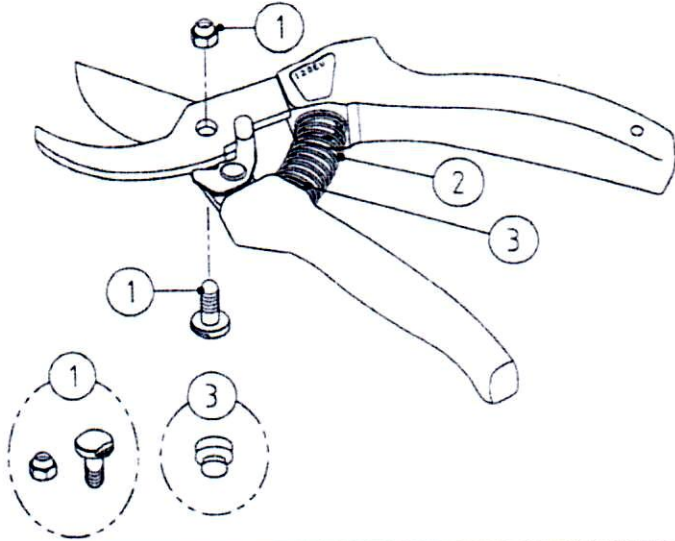


- ① SP-14 Bolt & Nylon Nut for 120/130 /140 Series
- ② SP-16 Steel Hook for 140L-DX
- ③ SP-17 Spring for 140L-DX

《 PRUNING SHEARS 》

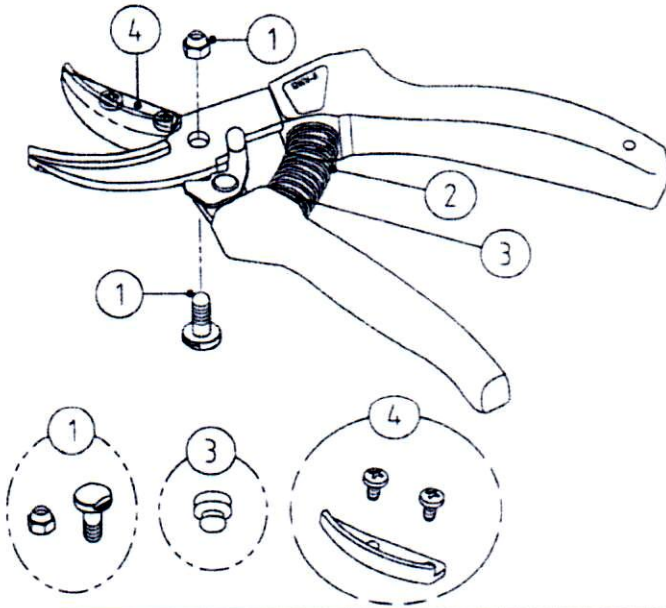
No.3

120EU



- ① SP-14 Bolt & Nylon Nut for 120DX/EU /EU-R/DX-T
- ② SP-157 Spring for 120EU/120EU-R
- ③ SP-70 Rubber Cushion for 120EU/130DX/140DX Series

120EU-R

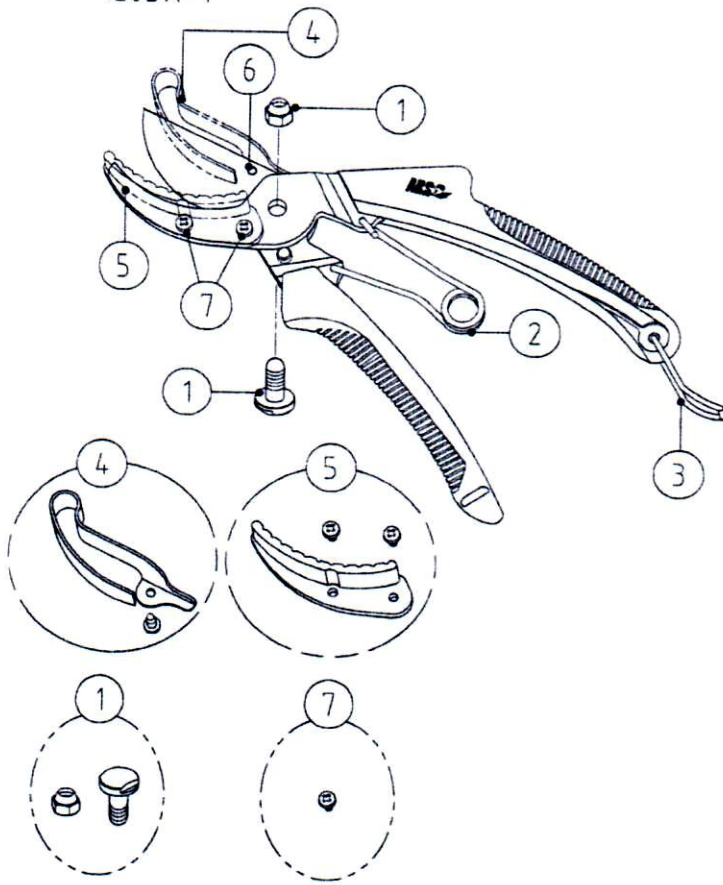


- ① SP-14 Bolt & Nylon Nut for 120DX/EU /EU-R/DX-T
- ② SP-157 Spring for 120EU/120EU-R
- ③ SP-70 Rubber Cushion for 120EU/130DX/140DX Series
- ④ SP-322 Holding Device Set for Cutting Blade for 120EU-R

《 PRUNING SHEARS 》

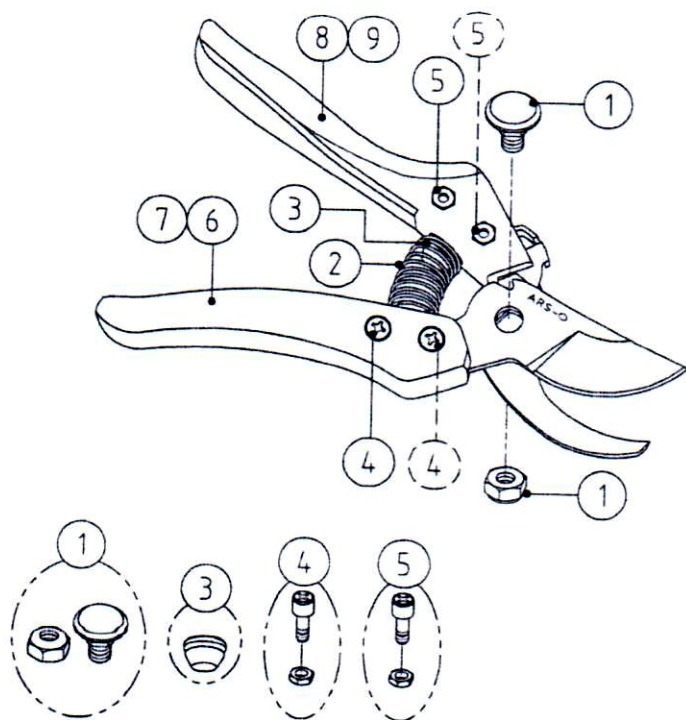
No.4

120DX-T



- ① SP-14 Bolt & Nylon Nut for 120DX/B/EU /DX-T/EU-R
- ② SP-15 Spring for 120DX/B/DX-T
- ③ SP-16 Steel Hook for 120DX/B/DX-T
- ④ SP-147 Upper Holding Blade with 1 Screw
- ⑤ SP-148 Lower Holding Blade with 2 Screws
- ⑥ SP-149 Bolt for Upper Holding Blade
- ⑦ SP-150 Bolt for Lower Holding Blade (1pc)

CB-8/9

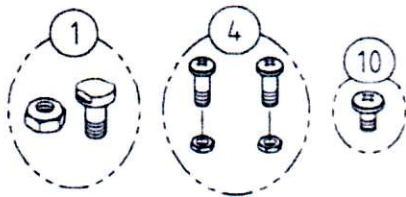
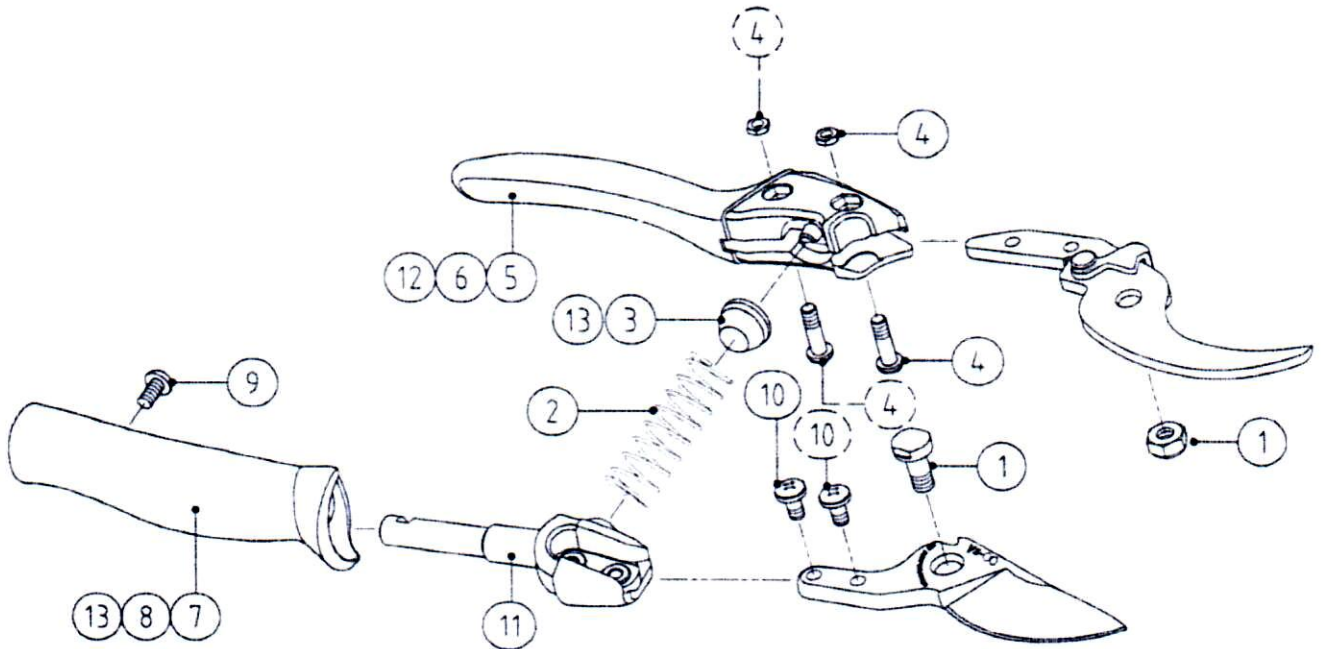


- ① SP-217 Centre Bolt & Nylon Nut
- ② SP-218 Spring
- ③ SP-219 Rubber Bumper (1pc)
- ④ SP-220 Bolt & Nut for the Cutting Blade Grip (1pc each)
- ⑤ SP-221 Bolt & Nut for the Counter Blade Grip (1pc each)
- ⑥ SP-313 Cutting Blade Grip for CB-8
- ⑦ SP-315 Cutting Blade Grip for CB-9
- ⑧ SP-314 Counter Blade Grip for CB-8
- ⑨ SP-316 Counter Blade Grip for CB-9

《 PRUNING SHEARS 》

No 5

VS-7R/8R/9R

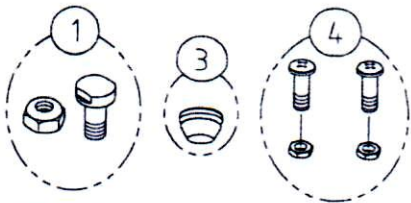
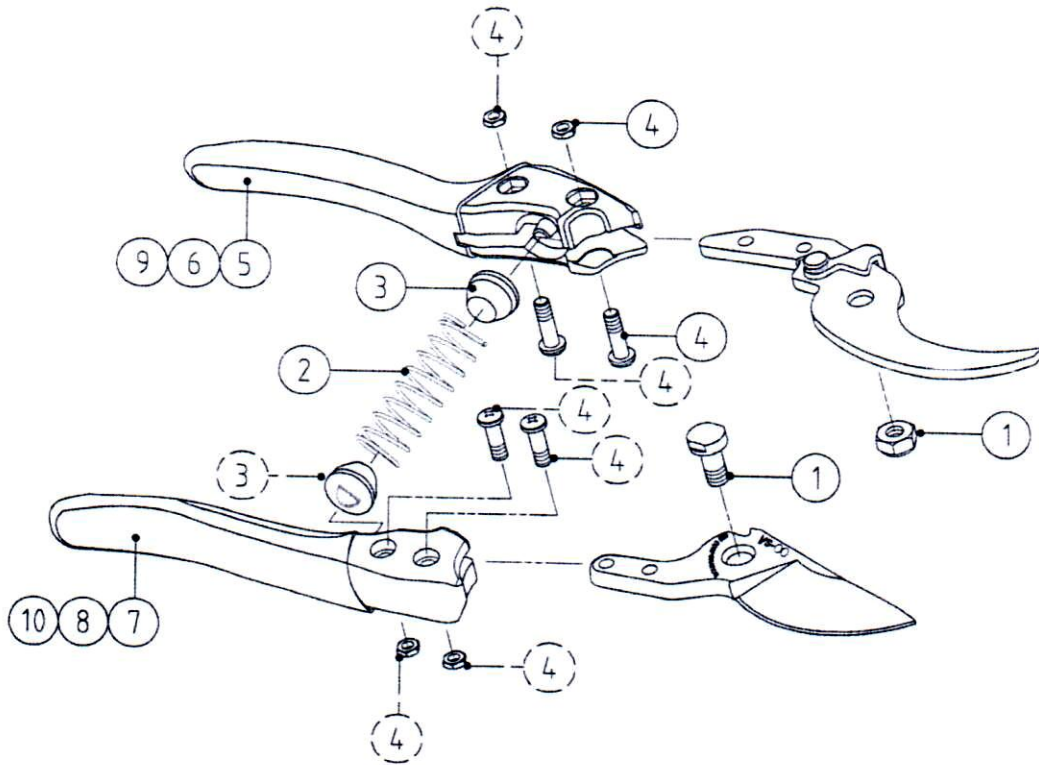


- | | |
|--|--|
| ① SP-60 Bolt & Nylon Nut for V-7R/8R/9R and VS-7Z/8Z/9Z | ⑦ SP-397 Rotating Grip for VS-8R |
| ② SP-61 Spring for 130DX, 140DX, VS-7R/8R/9R and VS-7Z/8Z/9Z | ⑧ SP-403 Rotating Grip for VS-9R |
| ③ SP-151 Rubber Cushion for VS-8R/9R and VS-8Z/9Z (1pc) | ⑨ SP-395 Bolt for Roll Grip for VS-7R/8R/9R |
| ④ SP-323 Handle Screw & Nut for V-7R/8R/9R & VS-7Z/8Z/9Z (2pcs each) | ⑩ SP-394 Blade Holding Bolt for the Cutting Blade of VS-7R/8R/9R (1pc) |
| ⑤ SP-396 Counter Blade Grip for VS-8R and VS-8Z | ⑪ SP-398 Axle (Shaft) for Rotating Grip for VS-7R/8R/9R |
| ⑥ SP-402 Counter Blade Grip for VS-9R and VS-9Z | ⑫ SP-415 Counter Blade Grip for VS-7R and VS-7Z |
| | ⑬ SP-416 Rotating Grip for VS-7R |
| | ⑬ SP-432 Rubber Cushion for VS-7R/7Z (1pc) |

《 PRUNING SHEARS 》

No.6

VS-7Z/8Z/9Z

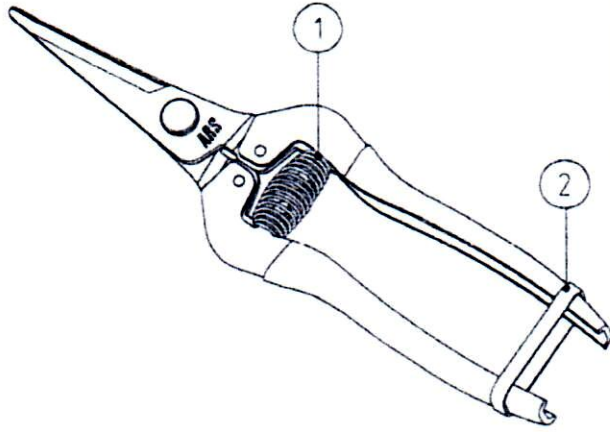


- | | | | |
|----------|---|----------|--|
| ① SP-60 | Bolt & Nylon Nut for VS-7R/8R/9R and VS-7Z/8Z/9Z | ⑤ SP-396 | Counter Blade Grip for VS-8R and VS-8Z |
| ② SP-61 | Spring for 130DX, 140DX, VS-7R/8R/9R and VS-7Z/8Z/9Z | ⑥ SP-402 | Counter Blade Grip for VS-9R and VS-9Z |
| ③ SP-151 | Rubber Cushion for VS-7R/8R/9R and VS-7Z/8Z/9Z (1pc) | ⑦ SP-401 | Cutting Blade Grip for VS-8Z |
| ④ SP-323 | Handle Screw & Nut for VS-7R/8R/9R & VS-8Z/9Z (2pcs each) | ⑧ SP-404 | Cutting Blade Grip for VS-9Z |
| | | ⑨ SP-415 | Counter Blade Grip for VS-7R and VS-7Z |
| | | ⑩ SP-417 | Cutting Blade Grip for VS-7Z |

《 FRUITS PRUNERS 》

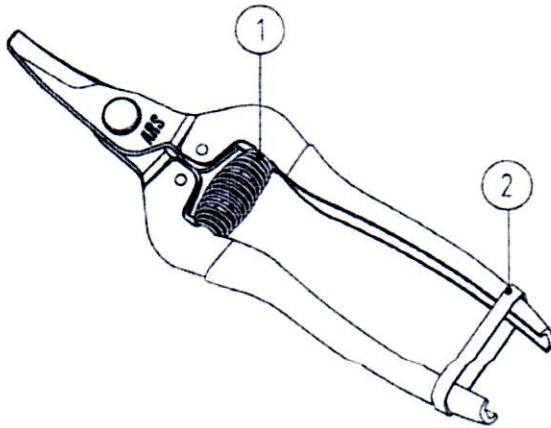
No.1

300L/300SS



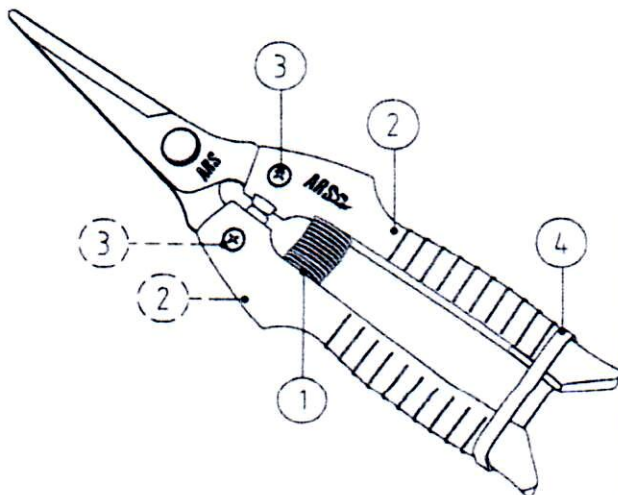
- ① SP-23 Spring for 300L/300SS (Coil Type)
- ② SP-161 Strap for 300L/300SS

310DX/310/310-T/310-D



- ① SP-23 Spring for 310DX/310/310-T /310-D
- ② SP-161 Strap for 310DX/310/310-T /310-D

SE-45

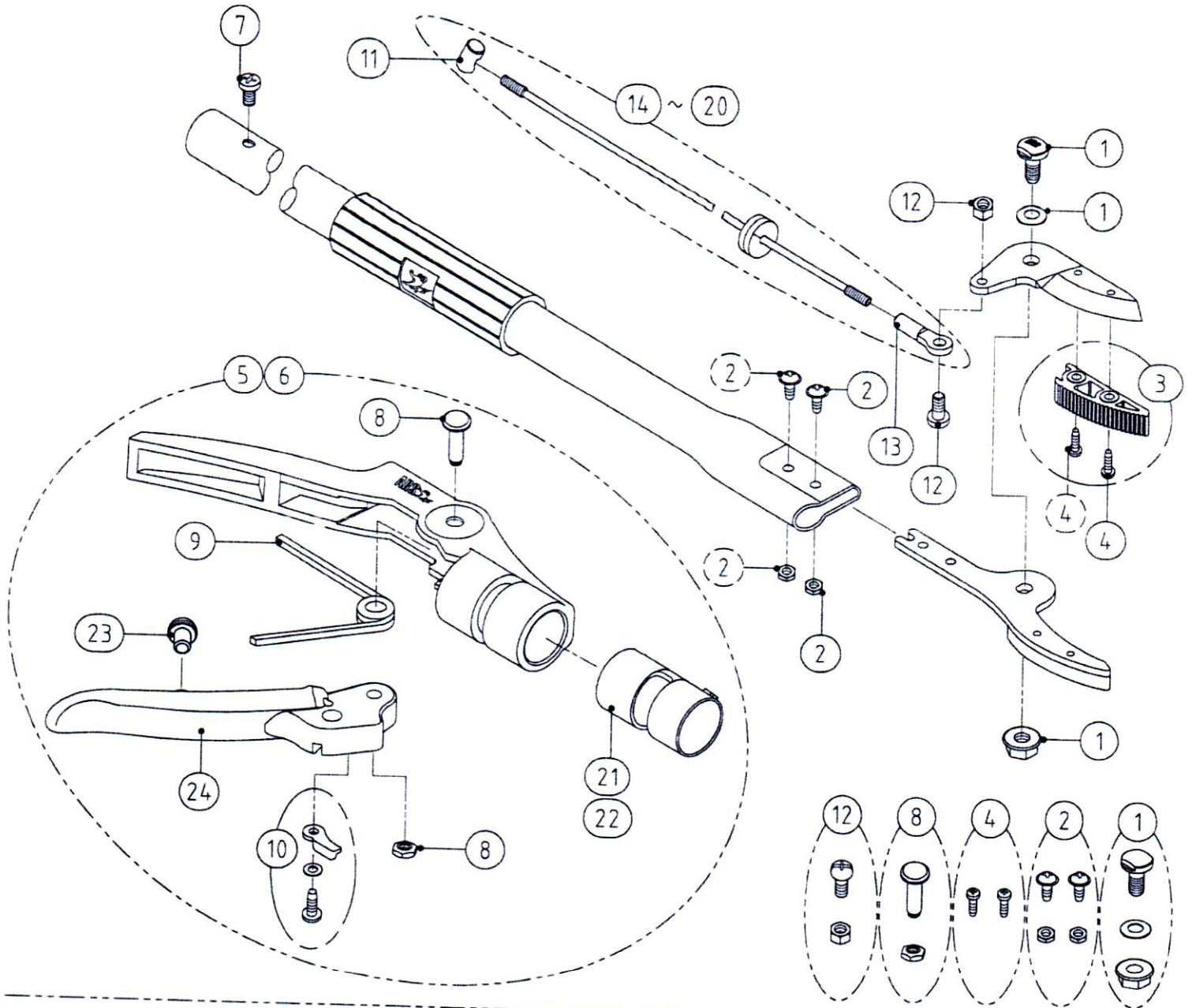


- ① SP-188 Spring for SE-45
- ② SP-189 Grip for SE-45 (1set)
- ③ SP-190 Screw & Nut for SE-45(1pc each)
- ④ SP-161 Strap for SE-45

《 LONG REACH PRUNERS 》

160/180 Series

NO.1



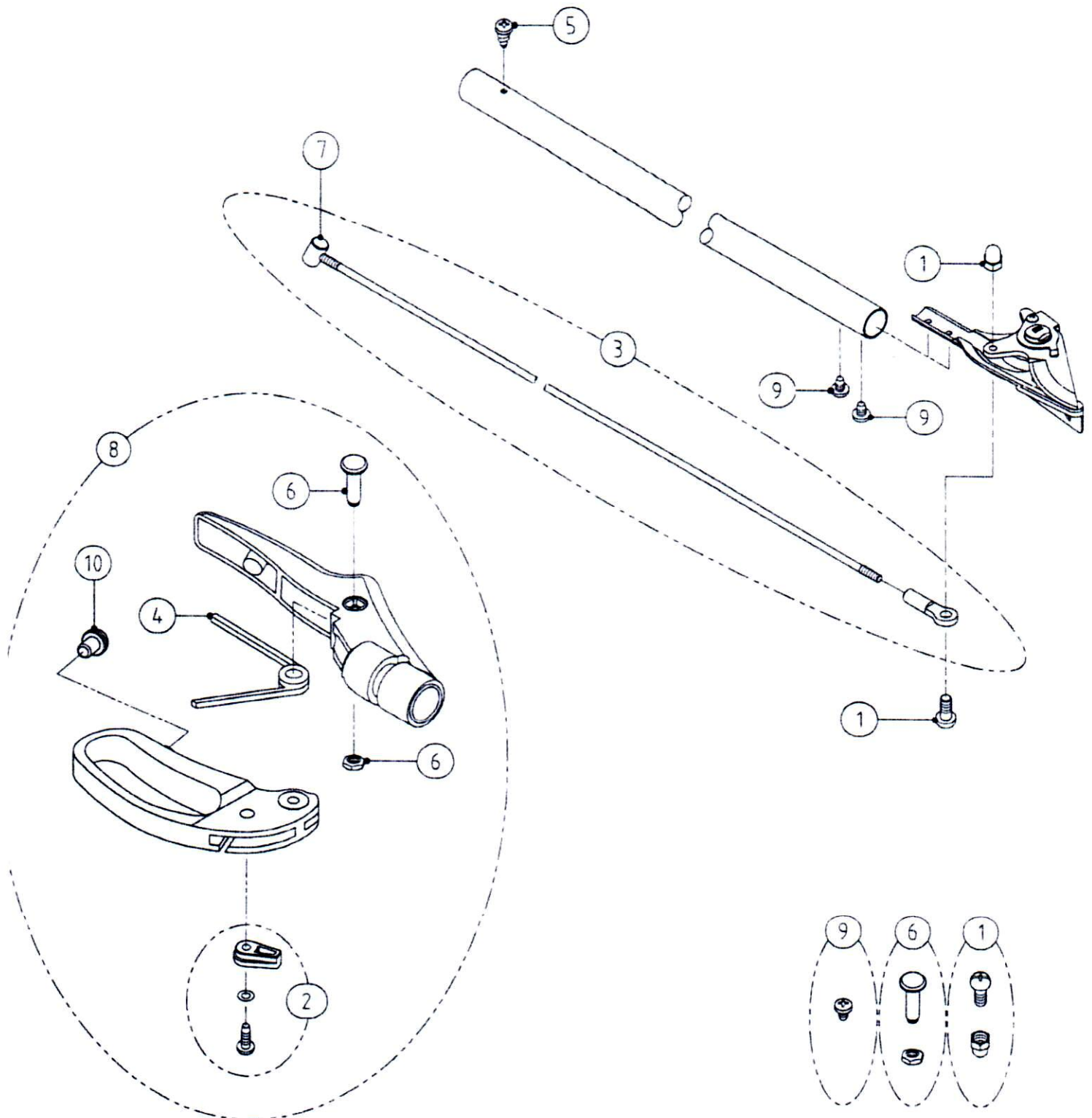
- ① SP-30 Bolt, Washer & Nut for 160/180 Series
- ② SP-31 Screw & Nut (2pcs each)
- ③ SP-32 Holding Device for the Cutting Blade of 160 Series with 2 Screws
- ④ SP-33 Screw for 160 Series (2pcs)
- ⑤ SP-38-A Handle Set for Long Reach Pruner, 160-0.35/0.6/1.2/1.8
- ⑥ SP-38-B Handle Set for Long Reach Pruner, 160-2.1/2.4 & 180 Series
- ⑦ SP-39 Stop Screw for Long Reach Pruner
- ⑧ SP-40 Screw & Nut for The Handle of Long Reach Pruner
- ⑨ SP-41 Spring for Long Reach Pruner
- ⑩ SP-42 Latch Lock Set for The Handle of Long Reach Pruner
- ⑪ SP-43 Rod Fixing Part for Long Reach Pruner

- ⑫ SP-44 Rod Fixing Bolt & Nut
- ⑬ SP-45 Rod Cap for Long Reach Pruner
- ⑭ SP-46 Rod Set for 160/180-1.8
- ⑮ SP-48 Rod Set for 160/180-2.4
- ⑯ SP-81 Rod Set for 160-0.35
- ⑰ SP-82 Rod Set for 160-0.6
- ⑱ SP-83 Rod Set for 160/180-1.2
- ⑲ SP-84 Rod Set for 160/180-2.1
- ⑳ SP-153 Rod Set for 160-1.5
- ㉑ SP-169 Sleeve for The Grip of 160-0.35/0.6 /1.2/1.8 Series
- ㉒ SP-168 Sleeve for The Grip of 160-2.1/2.4 & 180 Series
- ㉓ SP-80 Rubber Cushion for The Handle
- ㉔ SP-145 Grip Lever Only

《 LONG REACH PRUNERS 》

NO 2

150-0.6

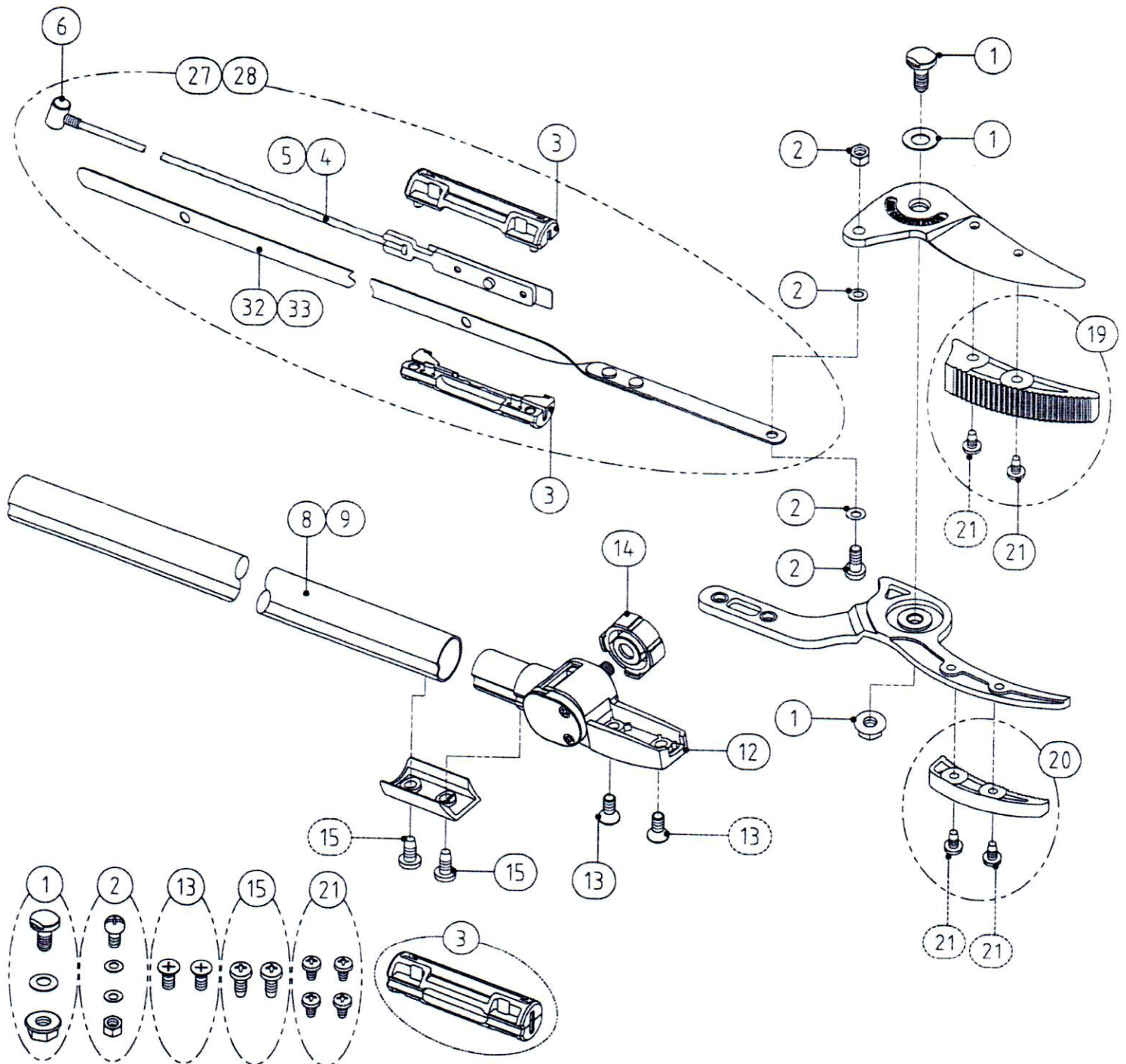


- 1) SP-44 Rod Fixing Bolt & Nut
- 2) SP-175 Latch Lock Set for the Handle
- 3) SP-125 Rod Set for 150-0.6
- 4) SP-41 Spring for Long Reach Pruner
- 5) SP-39 Screw for Long Reach Pruner
- 6) SP-40 Screw Bolt & Nut for the Handle
- 7) SP-43 Rod Fixing Part
- 8) SP-123 Handle Set for 150-0.6
- 9) SP-174 Screw for 150-0.6 (1pc)
- 10) SP-80 Rubber Cushion for the Handle

《 LONG REACH PRUNERS 》

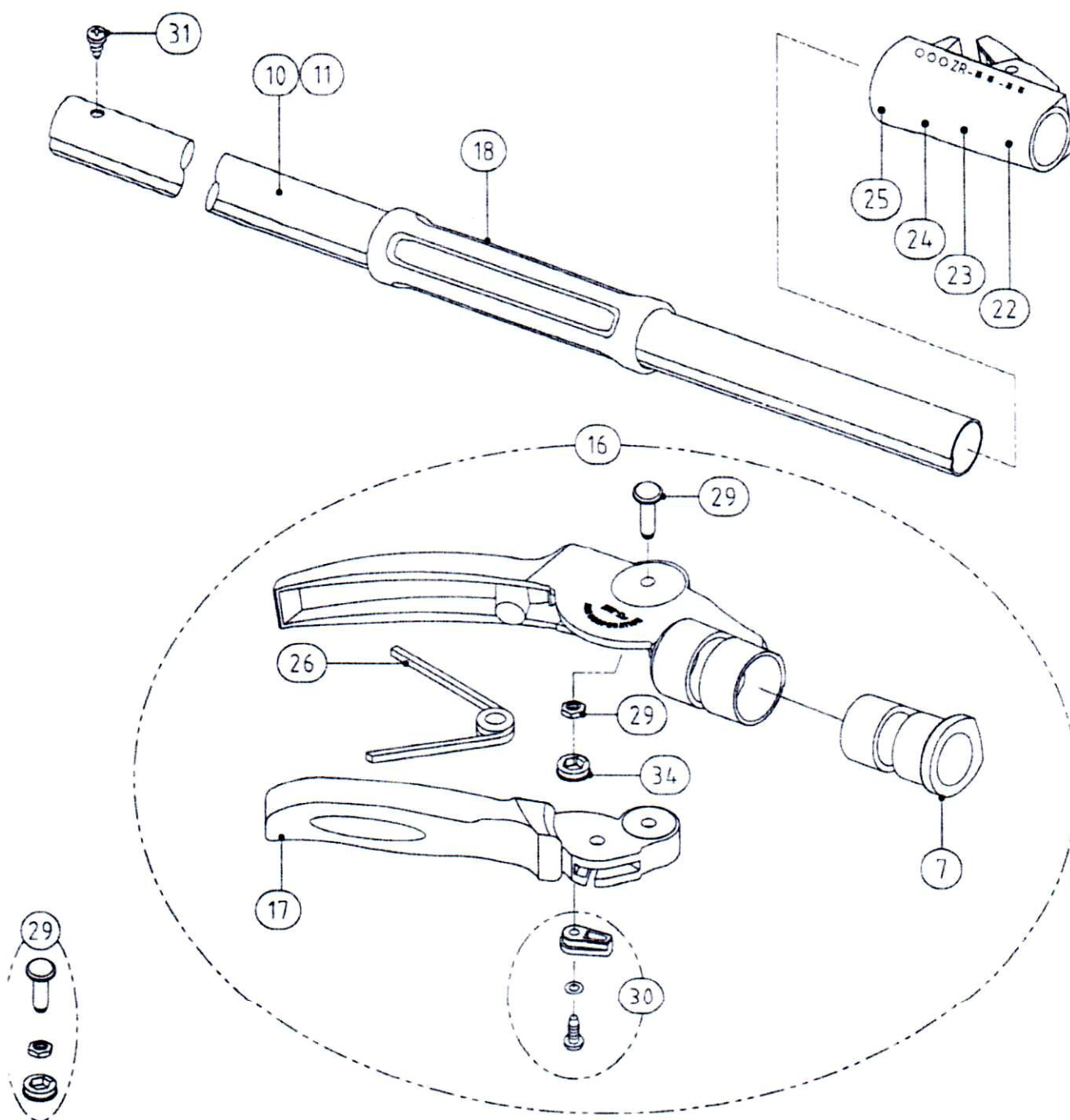
ZR Series

NO.3-1



- | | |
|--|---|
| ① SP-334 Bolt, Washer & Nut for 160/180ZR Series | ⑭ SP-346 Dial Nut for ZR Series |
| ② SP-74 Screw, Nut & 2 Washers for The Hoop of ZR Series | ⑮ SP-347 Screws for ZR Series (2pcs) |
| ③ SP-335 Inner Case, for ZR Series | ⑰ SP-351 Holding Device for The Cutting Blade With 2 Screws for 160ZR |
| ④ SP-336 Rod for 160/180ZR-2.0-3 | ⑱ SP-352 Holding Device for The Counter Blade With 2 Screws for 160ZR |
| ⑤ SP-337 Rod for 160/180ZR-3.0-5 | ⑲ SP-353 Screws for Holding Device (4pcs) |
| ⑥ SP-338 Rod Fixing Part for ZR Series | ⑳ HP-ZR-2.0-3
Steel Band Set for 160/180ZR-2.0-3 |
| ⑧ SP-340 Upper Pipe for 160/180ZR-2.0-3 | ㉑ HP-ZR-3.0-5
Steel Band Set for 160/180ZR-3.0-5 |
| ⑨ SP-341 Upper Pipe for 160/180ZR-3.0-5 | ㉒ SP-409 Steel Band Only for 160/180ZR-2.0-3 |
| ⑫ SP-344 Tilt Case Set for ZR Series | ㉓ SP-410 Steel Band Only for 160/180ZR-3.0-5 |
| ⑬ SP-345 Screw to Attach The Cutting Head for 160/180ZR (2pcs) | |

ZR Series

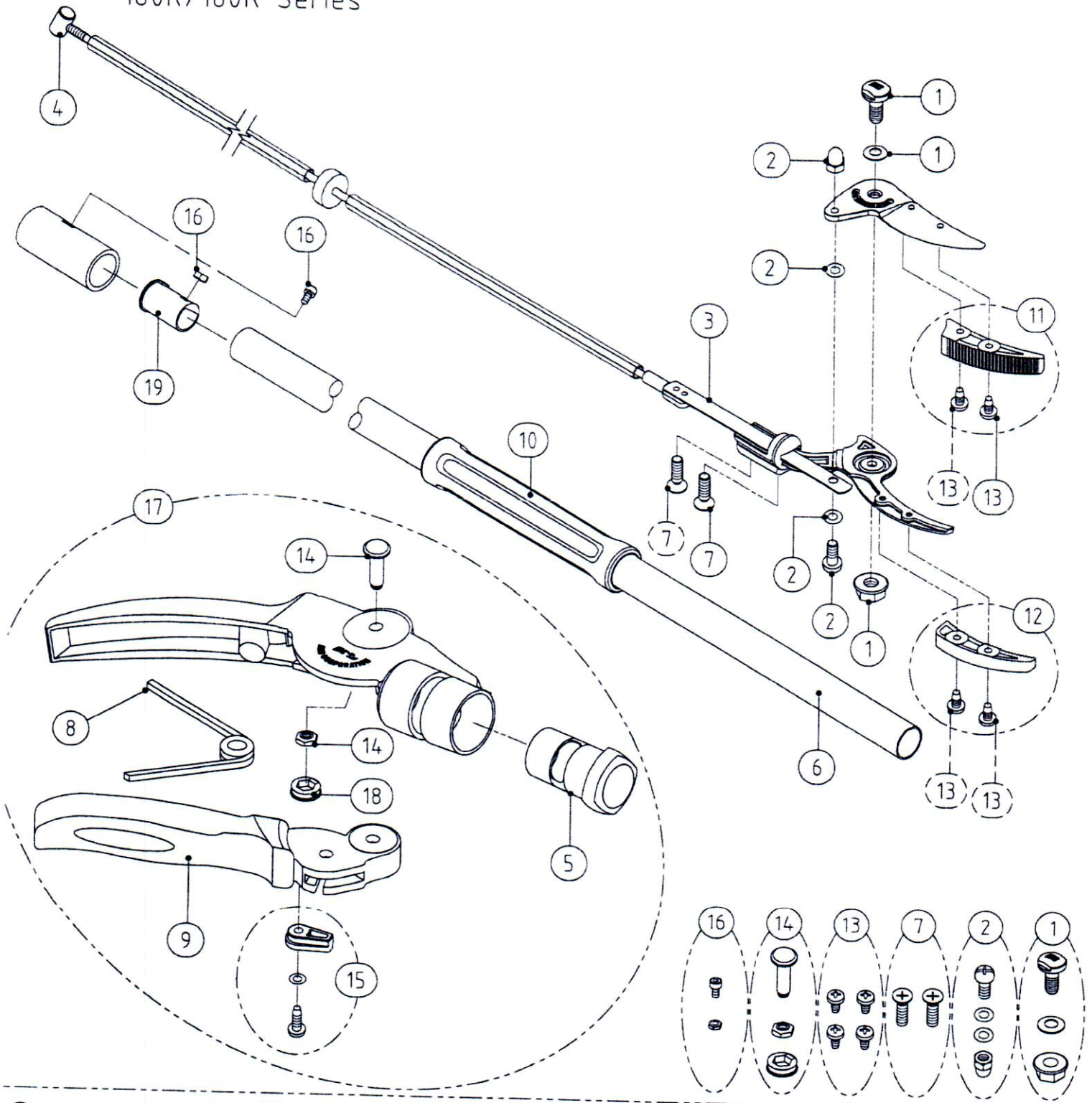


- | | |
|---|---|
| ⑦ SP-339 Sleeve for The Grip of ZR Series | ②⑨ SP-379 Center Bolt & Nut for The Grip of ZR Series |
| ⑩ SP-342 Lower Pipe only, for 160/180ZR-2 0-3 | ③⑩ SP-380 Handle Latch Lock Set for ZR Series |
| ⑪ SP-343 Lower Pipe only, for 160/180ZR-3 0-5 | ③① SP-381 The Stop Screw for ZR Series |
| ⑫ SP-348 Grip Set for ZR Series | ③④ SP-414 Nut Cap for the Handle |
| ⑬ SP-349 Grip Lever only, for ZR Series | |
| ⑭ SP-350 Middle Grip for ZR Series | |
| ⑮ SP-354 Joint Case Set for 160ZR-2 0-3 | |
| ⑯ SP-355 Joint Case Set for 160ZR-3 0-5 | |
| ⑰ SP-356 Joint Case Set for 180ZR-2 0-3 | |
| ⑱ SP-357 Joint Case Set for 180ZR-3 0-5 | |
| ⑳ SP-41 Spring for Long Reach Pruner | |

《 LONG REACH PRUNERS 》

160R/180R Series

NO.4

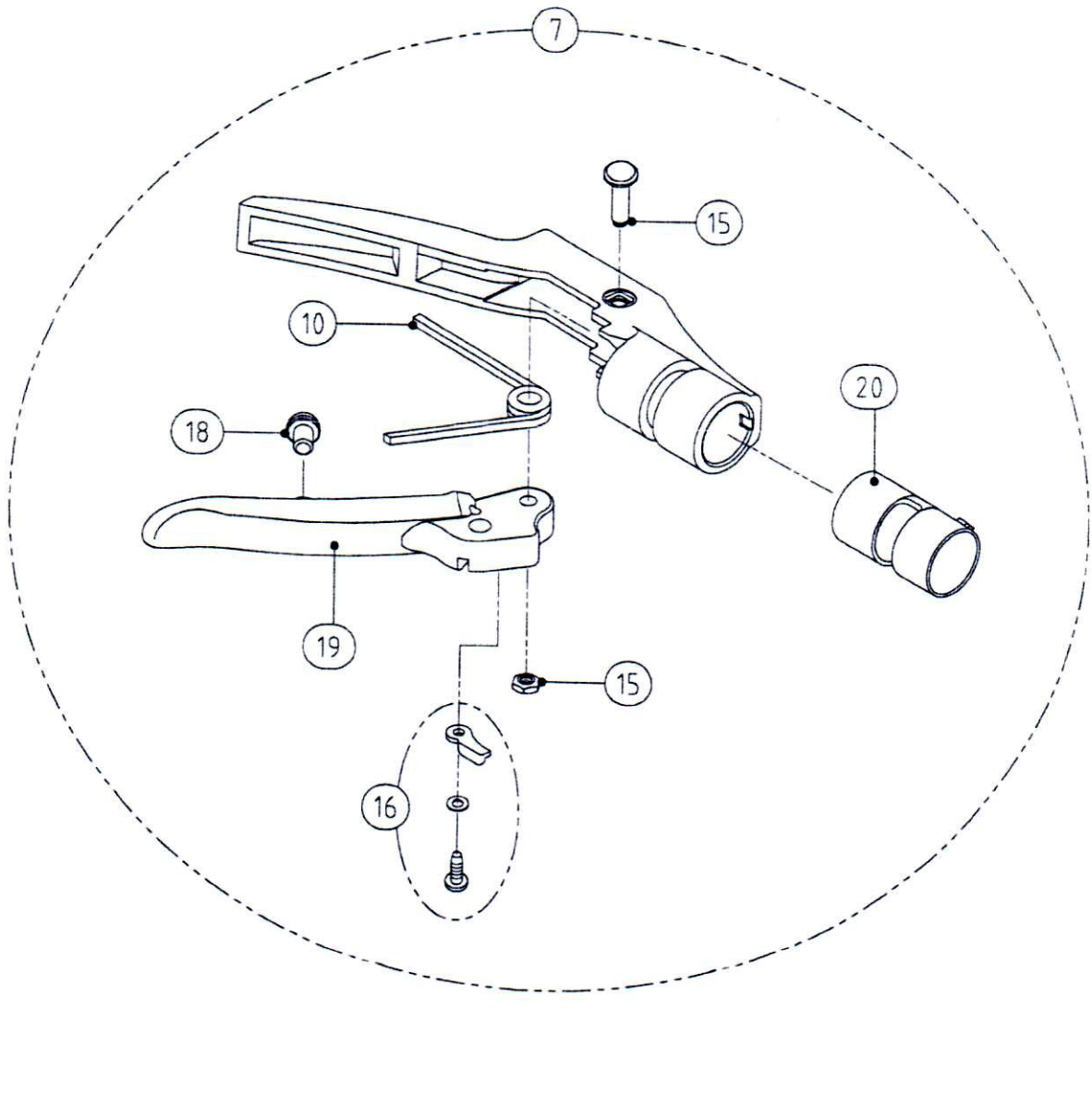


- | | |
|--|---|
| ① SP-334 Bolt, Washer & Nut | ⑪ SP-351 Holding Device with 2 Screws for the Cutting Blade of 160 Series |
| ② SP-74 Screw, Nut & 2 Washers for The Hoop of 160R/180R-1.8 | ⑫ SP-352 Holding Device with 2 Screws for the Counter Blade of 160 Series |
| ③ SP-392 Rod for 160R/180R-1.8 | ⑬ SP-353 Screw (4pcs.) for 160R-1.8 |
| ④ SP-338 Rod Fixing Part | ⑭ SP-379 Center Bolt & Nut for The Grip |
| ⑤ SP-339 Sleeve for The Grip | ⑮ SP-380 Handle Latch Lock Set |
| ⑥ SP-393 Pipe | ⑯ SP-414 Nat Cap for the handle |
| ⑦ SP-345 Screws (2pcs.) | ⑰ SP-348 Grip Set for 160R/180R-1.8 |
| ⑧ SP-41 Spring | ⑱ SP-418 Sleeve for Stop Screw |
| ⑨ SP-349 Grip Lever Only | |
| ⑩ SP-350 Middle Grip | |

《 LONG REACH PRUNERS 》

180L-1.2/1.8/2.1

NO.5-2

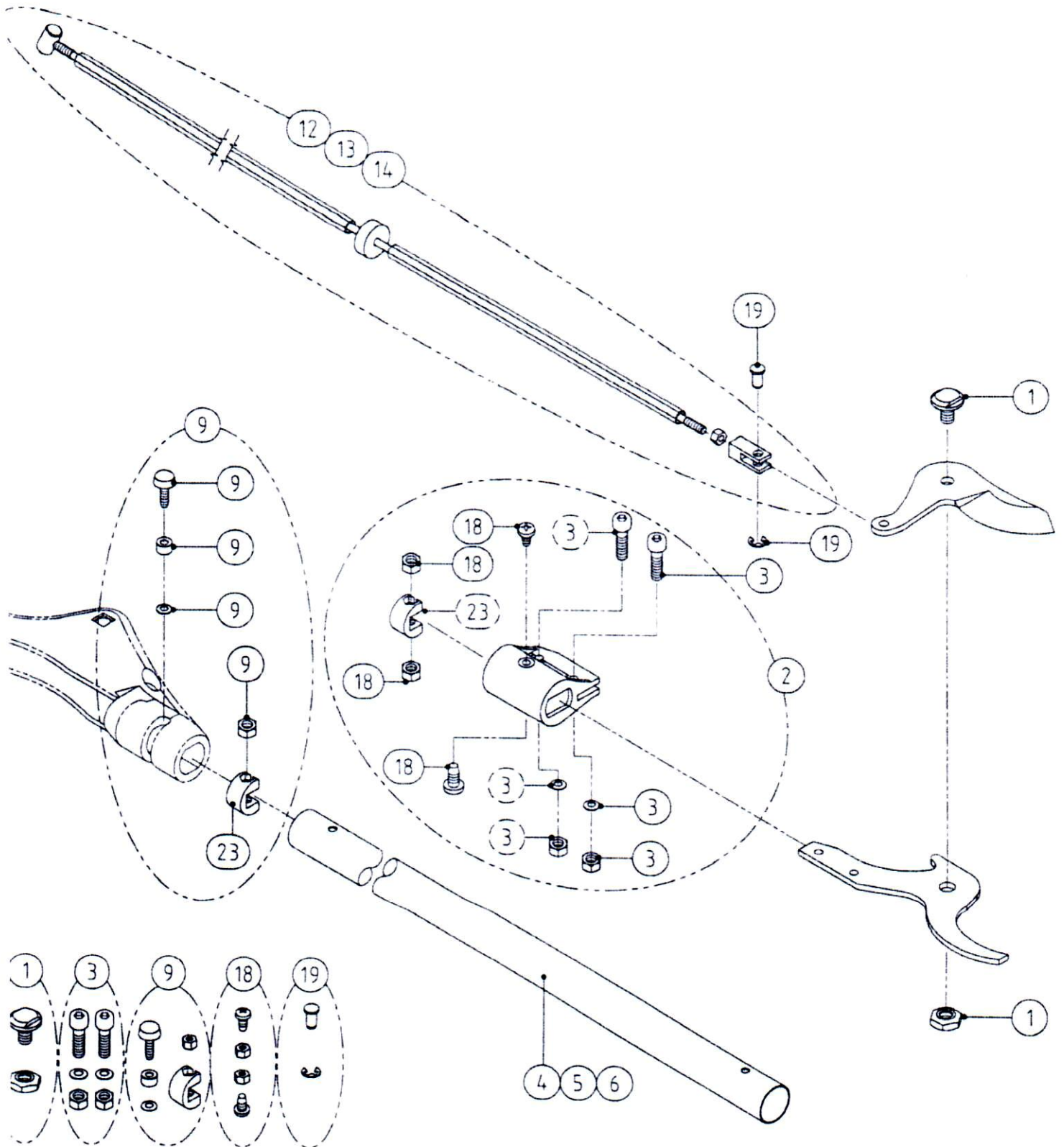


- ⑦ SP-79 Handle Set for 180L Series
- ⑩ SP-41 Spring for The Handle
- ⑮ SP-40 Screw & Nut for The Handle
- ⑯ SP-42 Latch Lock Set
- ⑱ SP-80 Rubber Cushion for The Handle
- ⑲ SP-145 Grip Lever Only
- ⑳ SP-167 Sleeve for The Grip of ZK/ZT/180L Series

《 LONG REACH PRUNERS 》

NO.6-1

185-1.2/1.5/1.8



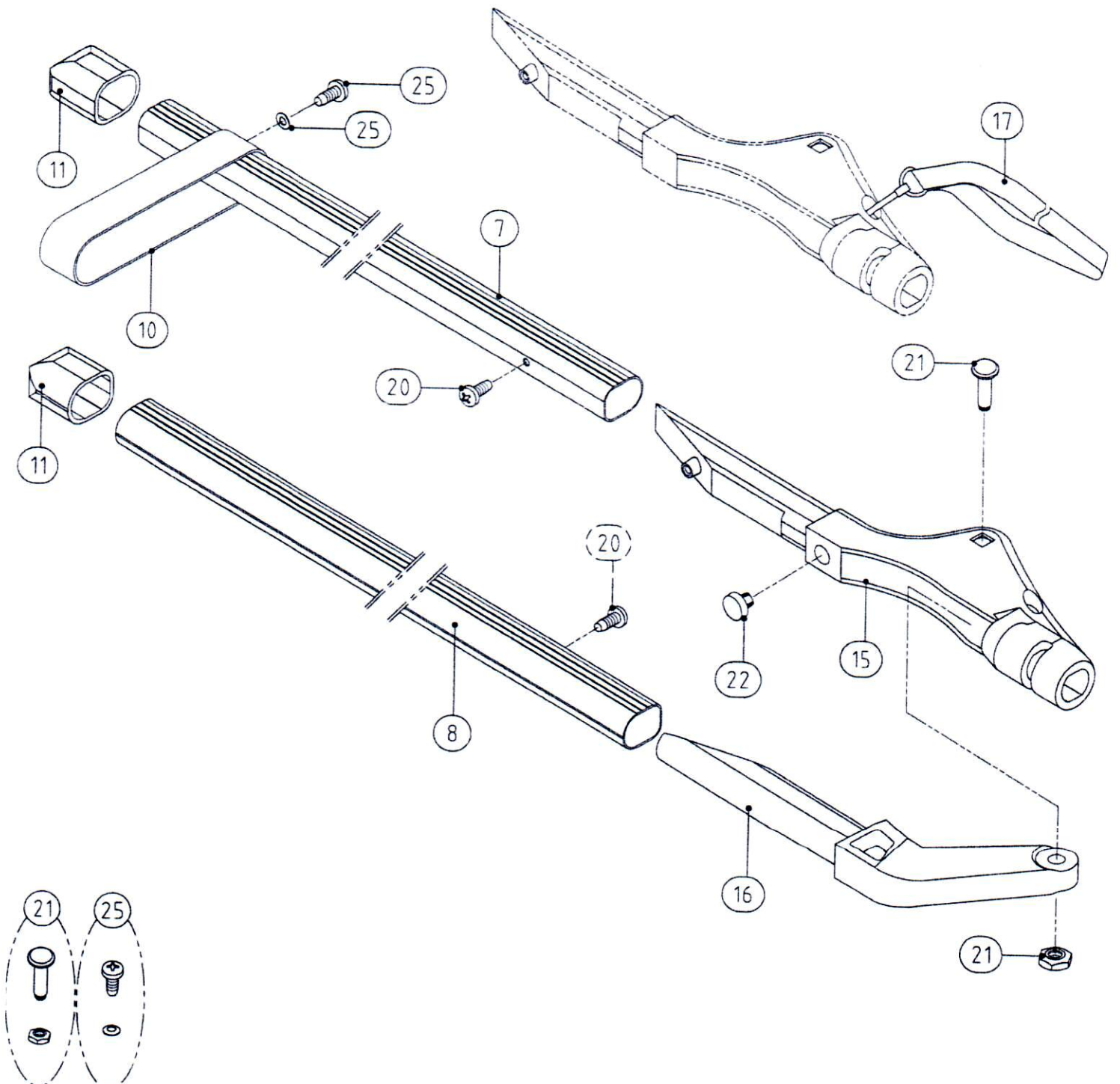
-) SP-205 Bolt & Nut for 185 Series
-) SP-206 Fitting Parts Set for 185 Series
-) SP-207 Cap Bolt, Nut & Washer (2pcs each)
-) SP-208 Pipe for 185-1.2
-) SP-209 Pipe for 185-1.5
-) SP-210 Pipe for 185-1.8
-) SP-213 Bolt, Nut, Tube, Washer and Rod Guide

- ⑫ SP-230 Rod Set for 185-1.2
- ⑬ SP-231 Rod Set for 185-1.5
- ⑭ SP-232 Rod Set for 185-1.8
- ⑱ SP-240 Bolt & Nut for Fitting Parts (2pcs each)
- ⑲ SP-163 Rod Fixing Pin & Stopper
- ⑳ SP-412 Rod Guide (1pc)

《 LONG REACH PRUNERS 》

185-1.2/1.5/1.8

NO.6-2

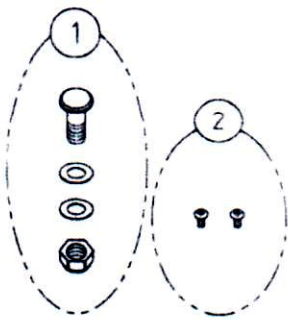
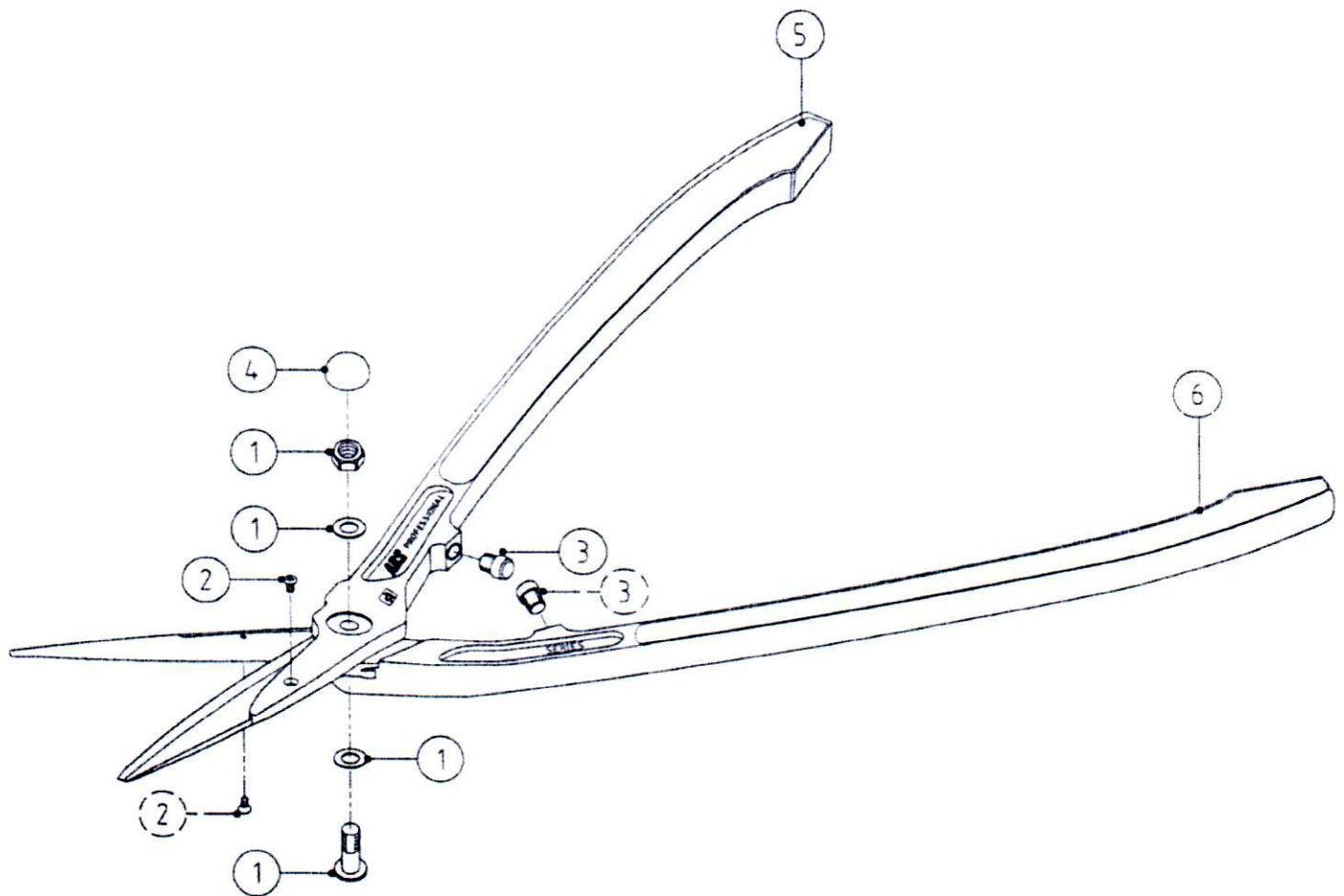


- | | |
|--|--|
| <ul style="list-style-type: none"> ⑦ SP-211 Lever Pipe 1 with End Cap ⑧ SP-212 Lever Pipe 2 with End Cap ⑩ SP-214 Stopper Band Only ⑪ SP-215 End Cap (1pc) ⑮ SP-252 Grip Only, for 185 Series | <ul style="list-style-type: none"> ⑯ SP-253 Lever for 185 Series ⑰ SP-254 Strap for 185 Series ⑳ SP-318 Bolt for Lever Pipe (1pc) ㉑ SP-319 Bolt & Nut for Grip ㉒ SP-411 Rubber Cushion for the Handle ㉓ SP-413 Bolt & Nut for the Stopper Band |
|--|--|

《HEDGE SHEARS》

NO.1

K-1000/K-1000L

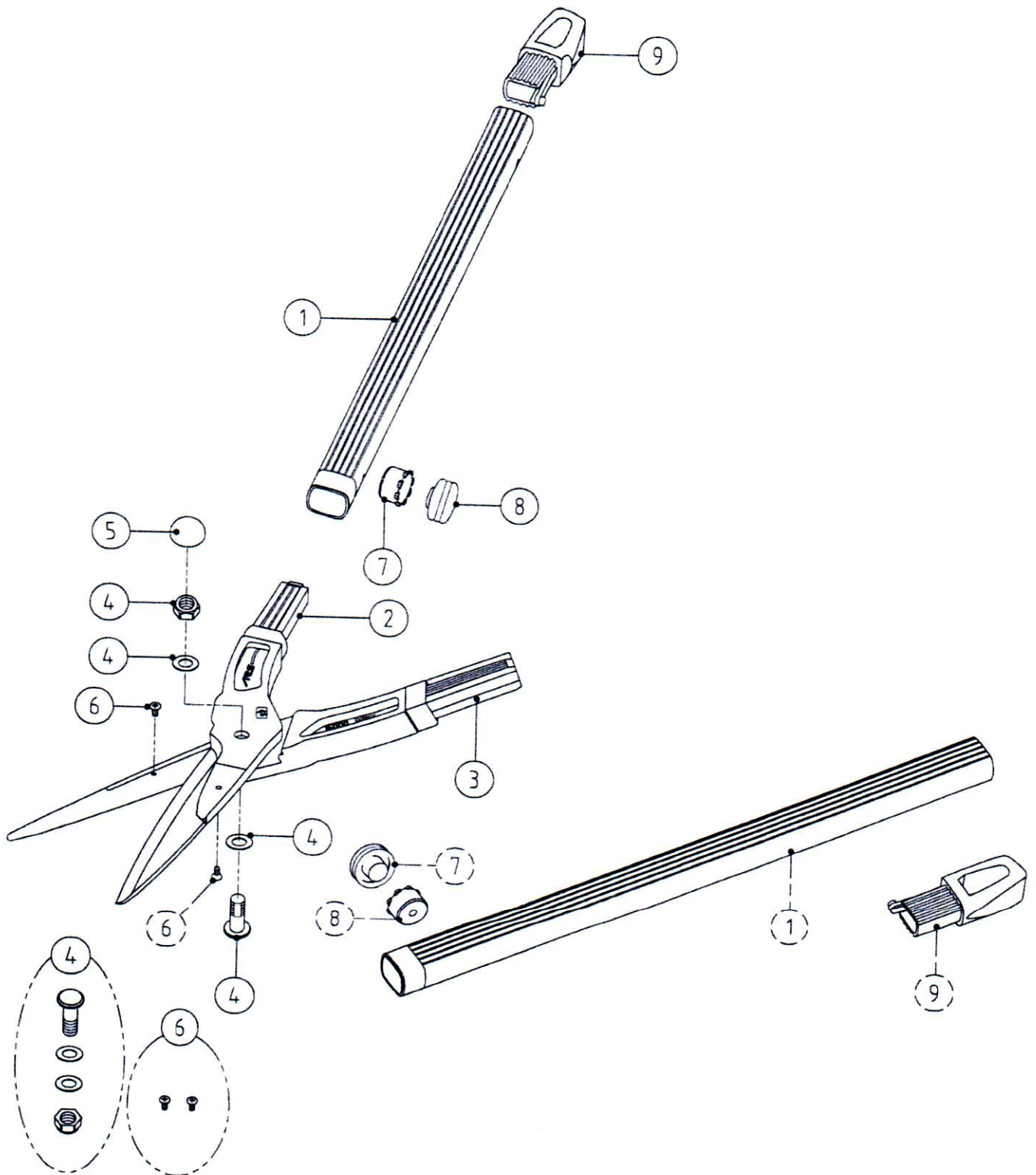


-
- ① SP-18 Bolt, Nut & 2 Washers for K-1000 /1000L/1100
 - ② SP-20 Oval Head Screw for K-1000/1000L /1100 (2pcs)
 - ③ SP-21 Rubber Cushion(Bumper) for K-1000 /1000L (1pc)
 - ④ SP-22 Pivot Cap for K-1000/1000L/1100
 - ⑤ SP-255 Right Grip for K-1000
 - ⑥ SP-256 Left Grip for K-1000

《 HEDGE SHEARS 》

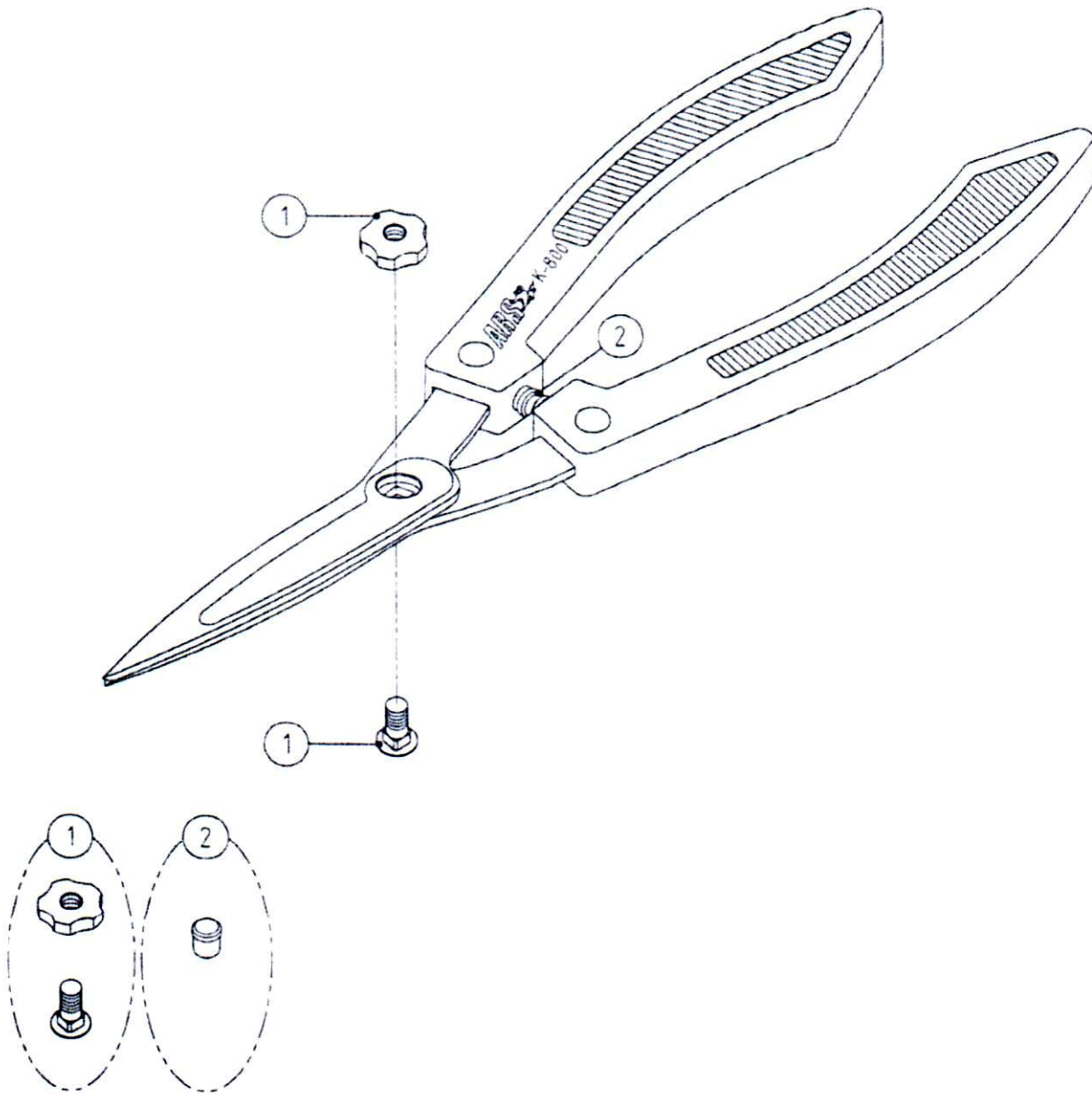
K-1100

NO.2



- | | | | | | |
|---|-------|---|---|-------|---|
| ① | SP-95 | Pipe Only for K-1100 (1pc) | ⑥ | SP-20 | Oval Head Screw for K-1000/1000L/1100 (2pcs) |
| ② | SP-96 | Blade Holding Handle for K-1100 (Top/Right) | ⑦ | SP-55 | Bumper Socket & Screw for K-1100 (1pc each) |
| ③ | SP-97 | Blade Holding Handle for K-1100 (Bottom/Left) | ⑧ | SP-57 | Rubber Cushion(Bumper) for K-1100 (1pc) |
| ④ | SP-18 | Bolt, Nut & 2 Washers for K-1000 /1000L/1100 | ⑨ | SP-56 | Plastic Piece at the end of the K-1100 Pipe (1pc) |
| ⑤ | SP-22 | Pivot Cap for K-1000/1000L/1100 | | | |

K-800

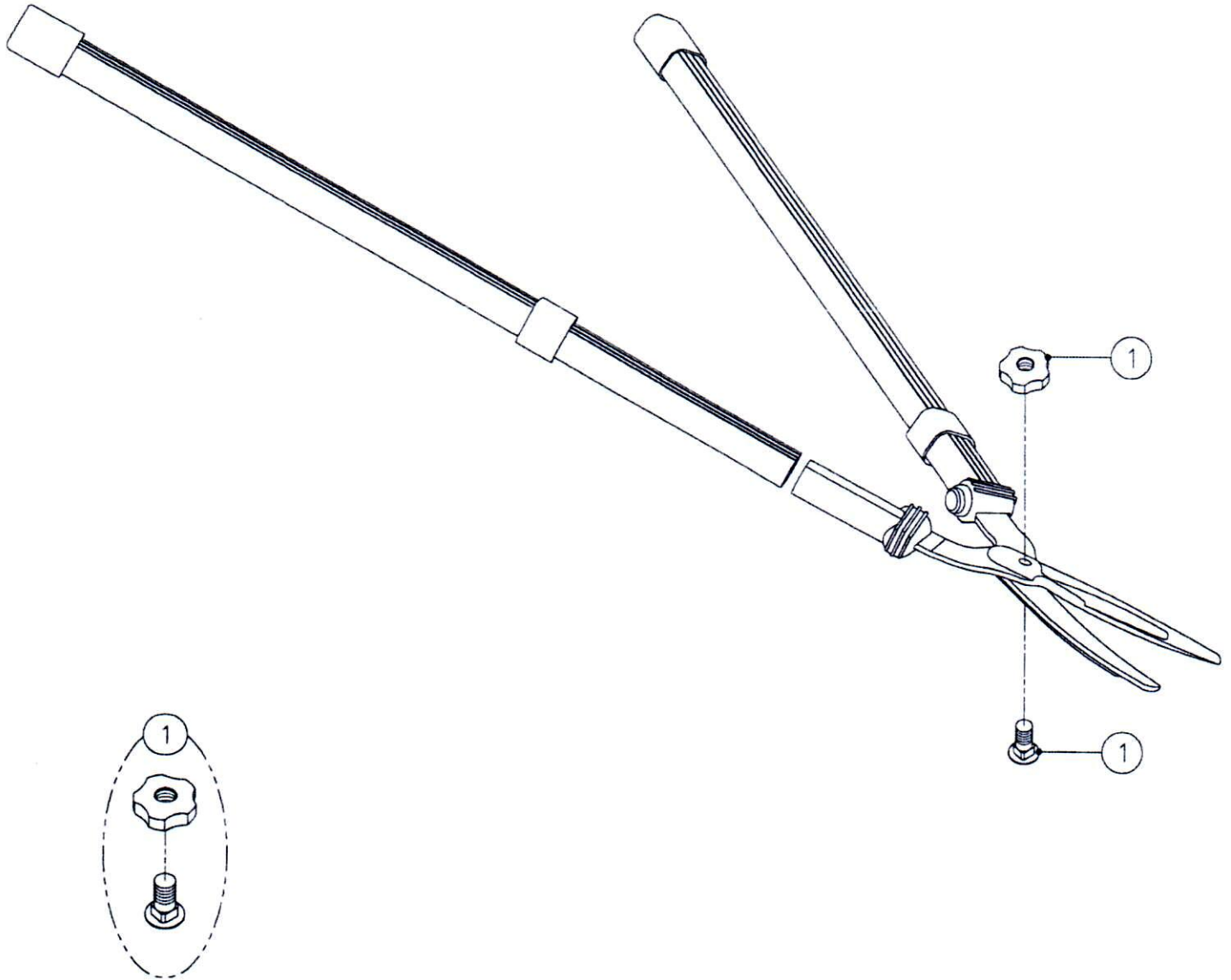


-
- ① SP-58 Bolt & Nut for K-800/K-900Z/K950Z
 - ② SP-59 Rubber Cushion(Bumper) for K-800 (1pc)

《 HEDGE SHEARS 》

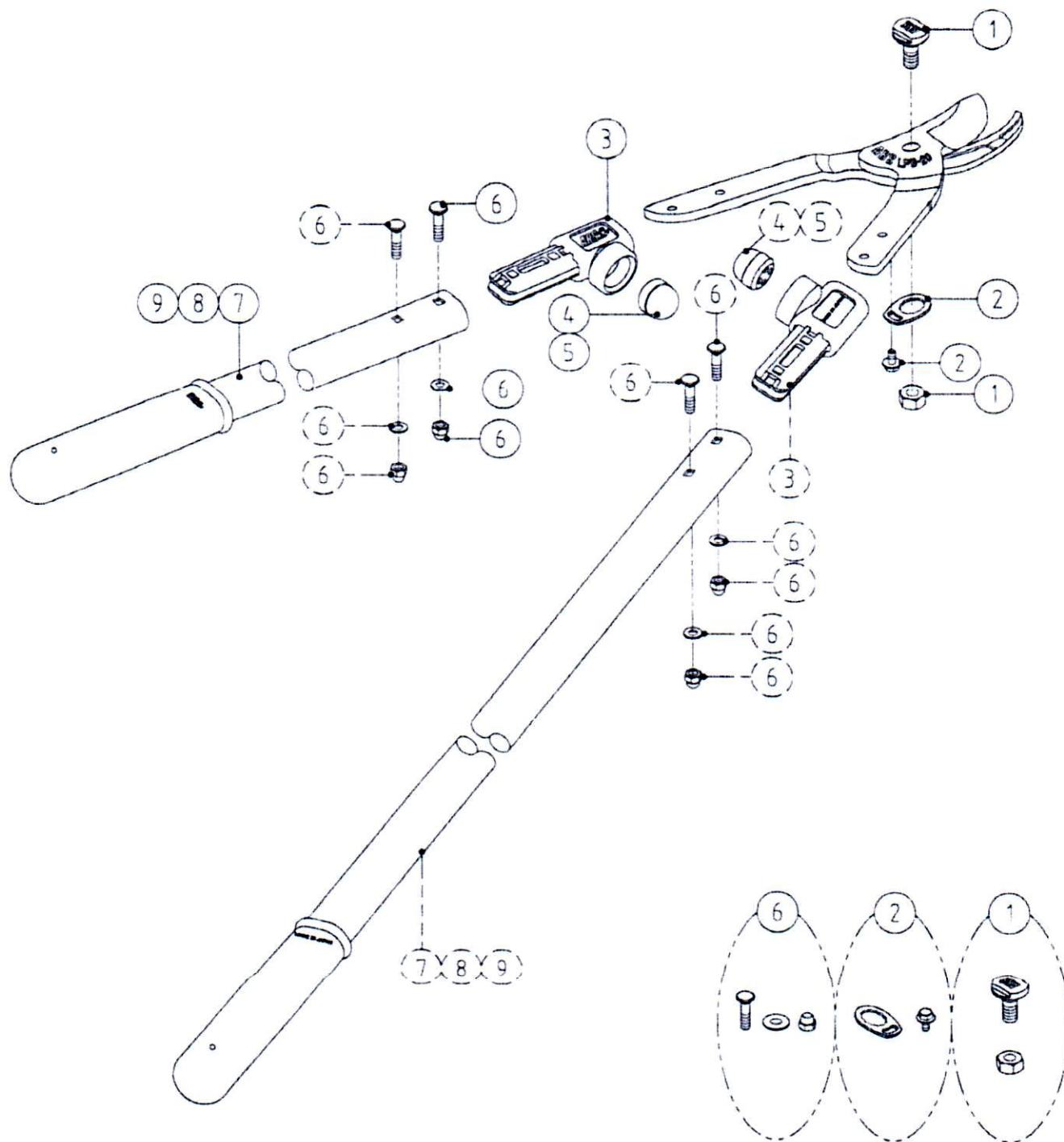
K-900Z/950Z

NO.4



① SP-58 Bolt & Nut for K-800/900Z/K-950Z

LPB-20/30

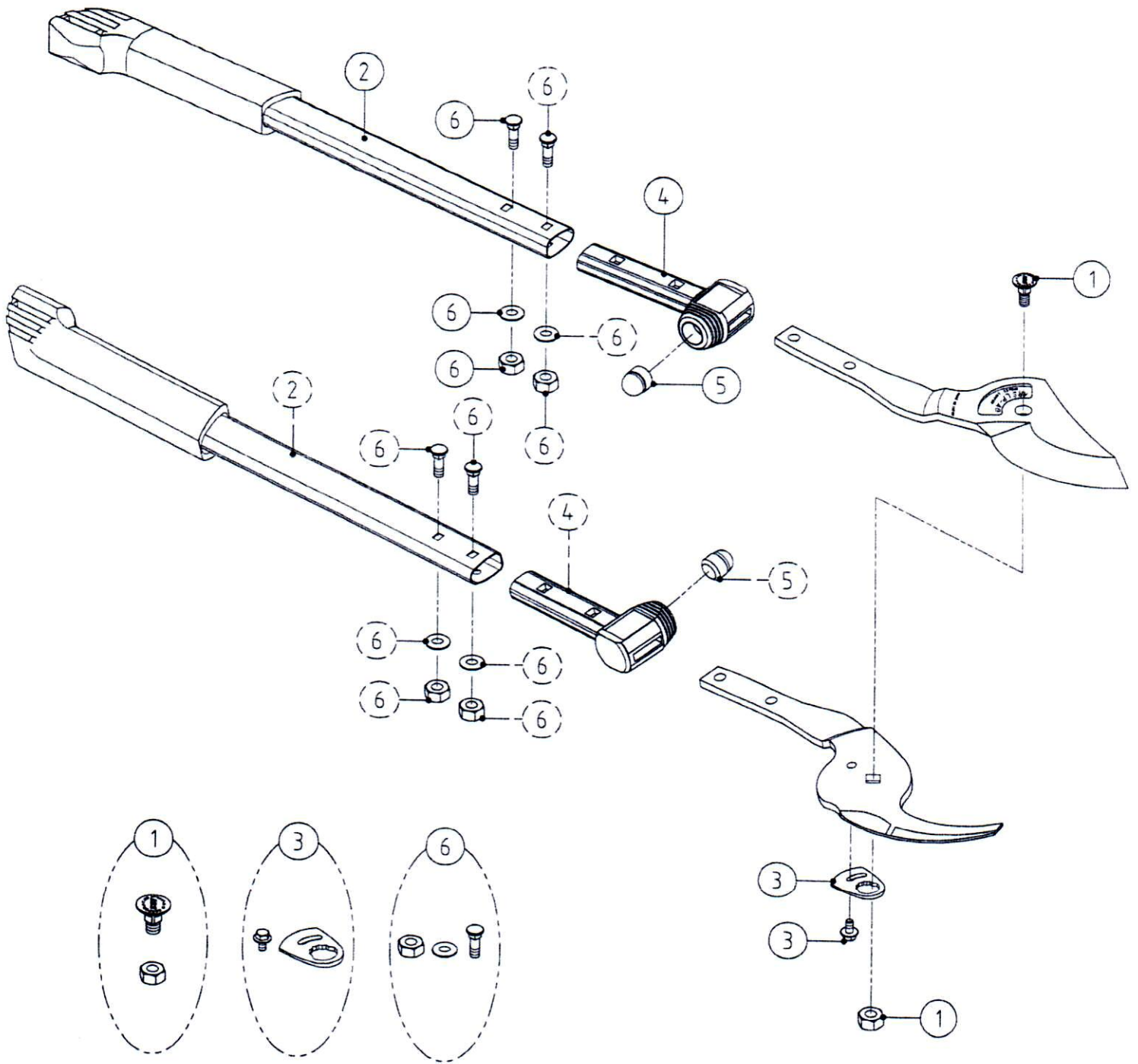


- ① SP-288 Centre Bolt & Nut for LP-22/33 and LPB SERIES
- ② SP-426 Screw Retainer Set for LPB Series
- ③ SP-419 Bumper Socket for LPB Series (1pc)
- ④ SP-420 Shock Absorber for LPB-20S/30S (1pc)
- ⑤ SP-421 Shock Absorber for LPB-20M/L & LPB-30M/L(1pc)
- ⑥ SP-387 Blade Holding Bolt, Nut & Washer for LPB Series (1pc each)
- ⑦ SP-422 Pipe with Grip for LPB-20S/30S (1pc)
- ⑧ SP-423 Pipe with Grip for LPB-20M/30M (1pc)
- ⑨ SP-389 Pipe with Grip for LPB-20L/30L & LPA-30L (1pc)

《 LOPPING SHEARS 《

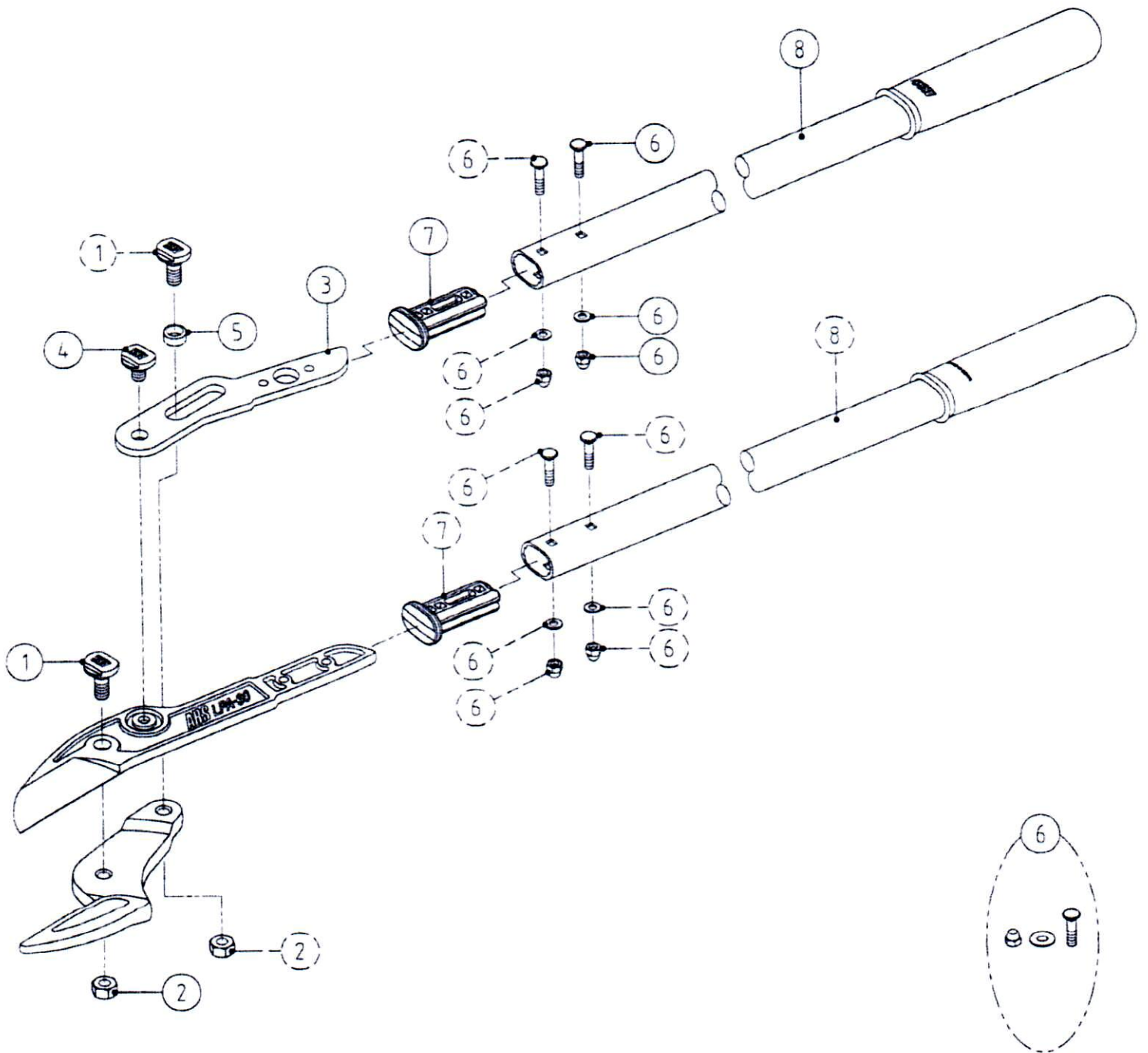
NO.2

LP-40



- ① SP-278 Centre Bolt & Nut for LP-40
- ② SP-282 Pipe for LP-40 with Grip (1pc)
- ③ SP-245 Screw Retainer Set
- ④ SP-280 Bumper Socket for LP-40 (1pc)
- ⑤ SP-250 Shock Absorber for LP-20L/33L/40 (1pc)
- ⑥ SP-281 Blade Holding Bolt, Washer and Nut (1pc each)

LPA-30L

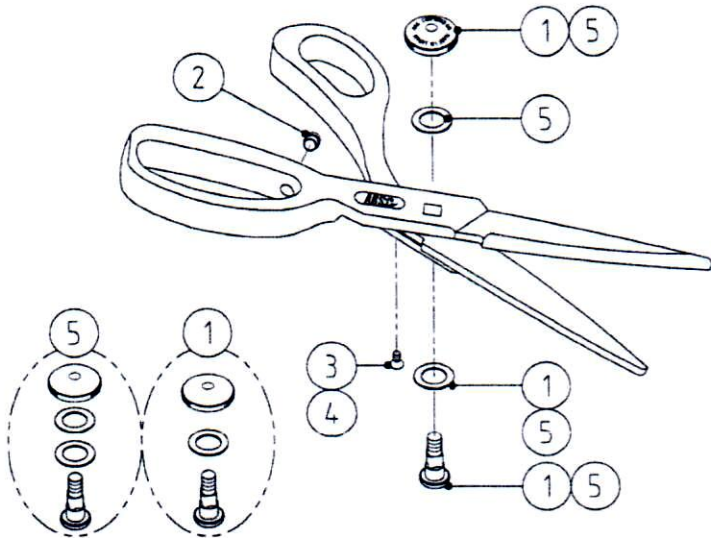


-
- ① SP-382 Centre Bolt for LPA-30L
 - ② SP-383 Centre Nut for LPA-30L
 - ③ SP-384 Link for LPA-30L
 - ④ SP-385 Fulcrum Bolt of Link for LPA-30L
 - ⑤ SP-386 Link Spacer for LPA-30L
 - ⑥ SP-387 Blade Holding Bolt, Nut & Washer for LPA-30L (1pc each)
 - ⑦ SP-388 Blade Holding Socket for LPA-30L (1pc)
 - ⑧ SP-389 Pipe with Grip for LPA-30L (1pc)

《 OTHER SHEARS 》

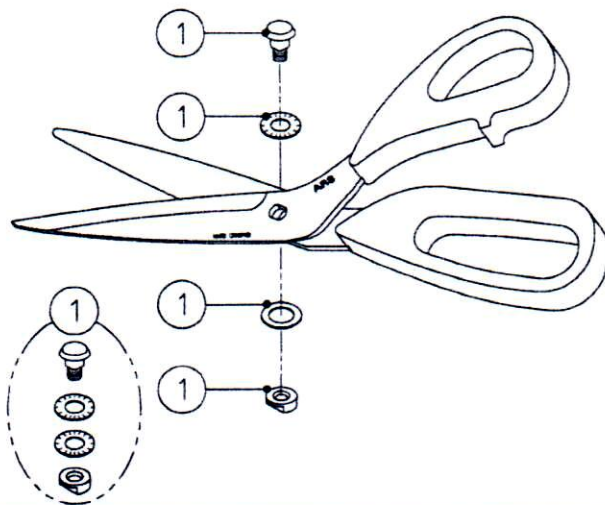
No.1

526-A/526-H



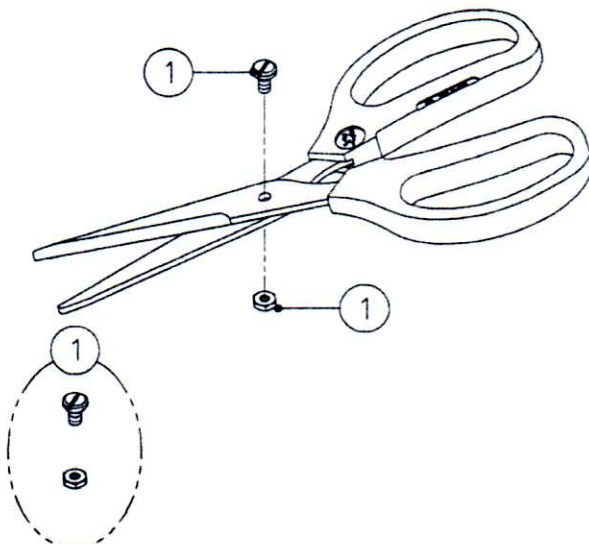
- ① SP-64 Bolt, Nut & Washer for 526-H
- ② SP-165 Rubber Cushion for 526-A/526-H
- ③ SP-297 Screw for 526-A
- ④ SP-298 Screw for 526-H
- ⑤ SP-424 Bolt, Nut & 2 Washers for 526-A

500



- ① SP-65 Bolt, Nut & 2 Washers for 500

340H-T/340H-M



- ① SP-25 Bolt & Nut for 340H-T/M